

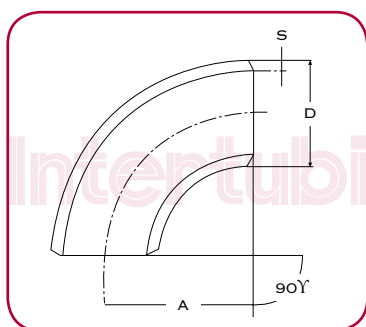


### CURVE 90° RAGGIO = 1D

ASME B16.9 ASTM A 403  
WP 304/304L E WP 316/316L

### SHORT RADIUS ELBOWS 90°

ASME B16.9 ASTM A 403  
WP 304/304L AND WP 316/316L



Ø est. mm x Spess. mm Outs. diam. mm x Thckn mm	Dimensioni Dimensions	Peso Kg/pz. Weight Kg/pcs.	A
33.40 x 2.77	1" SCH 10S	0.10	25
33.40 x 3.38	1" SCH 40S	0.12	25
33.40 x 4.55	1" SCH 80S	0.13	25
42.16 x 3.56	1.1/4" SCH 40S	0.20	32
42.16 x 4.85	1.1/4" SCH 80S	0.22	32
48.26 x 2.77	1.1/2" SCH 10S	0.22	38
48.26 x 3.68	1.1/2" SCH 40S	0.29	38
48.26 x 5.08	1.1/2" SCH 80S	0.32	38
60.33 x 2.77	2" SCH 10S	0.37	51
60.33 x 3.91	2" SCH 40S	0.51	51
60.33 x 5.54	2" SCH 80S	0.60	51
73.03 x 3.05	2.1/2" SCH 10S	0.62	64
73.03 x 5.16	2.1/2" SCH 40S	1.02	64
73.03 x 7.01	2.1/2" SCH 80S	1.14	64
88.90 x 3.05	3" SCH 10S	0.98	76
88.90 x 5.49	3" SCH 40S	1.50	76
88.90 x 7.62	3" SCH 80S	1.85	76
114.30 x 3.05	4" SCH 10S	1.72	102
114.30 x 6.02	4" SCH 40S	3.12	102

Ø est. mm x Spess. mm Outs. diam. mm x Thckn mm	Dimensioni Dimensions	Peso Kg/pz. Weight Kg/pcs.	A
114.30 x 8.56	4" SCH 80S	3.56	102
141.30 x 3.40	5" SCH 10S	2.78	127
141.30 x 6.55	5" SCH 40S	5.28	127
168.28 x 3.40	6" SCH 10S	4.15	152
168.28 x 7.11	6" SCH 40S	7.15	152
168.28 x 10.97	6" SCH 80S	11.79	152
219.08 x 3.76	8" SCH 10S	8.00	203
219.08 x 8.18	8" SCH 40S	17.05	203
273.05 x 4.19	10" SCH 10S	12.40	254
273.05 x 9.27	10" SCH 40S	24.00	254
323.85 x 4.57	12" SCH 10S	17.20	305
323.85 x 9.53	12" SCH 40S	38.10	305
355.60 x 4.78	14" SCH 10S	23.59	356
355.60 x 9.78	14" SCH 40S	45.40	356
406.40 x 4.78	16" SCH 10S	30.84	406
406.40 x 9.53	16" SCH 40S	59.40	406
457.20 x 4.78	18" SCH 10S	39.50	457
508.00 x 5.54	20" SCH 10S	65.00	508
609.60 x 6.35	24" SCH 10S	92.00	610