



ACCIAIO INOX | STAINLESS STEEL

FLANGE FORGIATE ASME B16.5

FORGED FLANGES B16.5

**INFORMAZIONI GENERALI
GENERAL INFORMATION**

**LE FLANGE A SALDARE ASME B16.5 SONO FORNITE IN ACCORDO ALLE SEGUENTI NORME:
INTERTUBI'S FLANGES ARE PROVIDED IN ACCORDING TO THE FOLLOWING STANDARDS:**

Norma di raccordo Fitting standard	Norma Standard	Descrizione Description	Grado di acciaio Steel grade	Tipologia di raccordi Fittings types
ASME B16.5	ASTM/ASME A/SA 403 ASTM A182	Specifiche standard per raccordi di Tubazioni in acciaio inox austenitici Standard Specification for Piping Fittings of stainless steel austenitic Specifiche standard per flange e raccordi forgiati Standard Specification for Forged or Rolled Alloy and Stainless Steel Pipe Flanges, Forged Fittings, and Valves and Parts for High-Temperature	WP304/304L WP316/316L	Flange forgiate Slip-on Flange forgiate Welding neck Flange forgiate Socket welding Flange forgiate Lap joint Flange forgiate Blind

Le tabelle riportate in seguito permettono un confronto tra i differenti gradi di acciaio secondo la composizione chimica e le proprietà meccaniche:

Tables shown below allow a comparison between the different steel grades according to the chemical composition and mechanical properties:

Grado / Grade		Composizione / Composition %							
Grade WP	C	Mn	P	S	Si	Ni	Cr	Mo	Others
WP304	0.08	2.00	0.045	0.030	1.00	8.0 - 11.0	18.0 - 20.0		
WP304L	0.030	2.00	0.045	0.030	1.00	8.0 - 12.0	18.0 - 20.0		
WP316	0.08	2.00	0.045	0.030	1.00	10.0 - 14.0	16.0 - 18.0	2.00 - 3.00	
WP316L	0.030	2.00	0.045	0.030	1.00	10.0 - 14.0	16.0 - 18.0	2.00 - 3.00	

Grado acciaio / Steel grade	Snervamento / Yield Strength min. ksi [MPa]	Rottura / Tensile Streigth min. ksi [MPa]
304, 316	30 [205]	75 [515]
304L, 316L	20 [170]	70 [485]

TOLLERANZE | TOLERANCES

Flange Welding Neck			Flange Slip-on Lapped e Blind		
Area	Dimensione Dimension	Tolleranze Tolerances mm	Area	Dimensione Dimension	Tolleranze Tole- rances mm
D Diametro Esterno / Outside Diameter	NPS ≤ 5" NPS ≥ 6"	+2,0, -1,0 +4,0, -1,0	D Diametro Esterno / Outside Diameter	NPS ≤ 5" NPS ≥ 6"	+2,0, -1,0 +4,0, -1,0
J Diametro interno / Inside Diameter	NPS ≤ 10" 12" ≤ NPS ≤ 18" NPS ≥ 20"	± 1,0 ± 1,5 + 3,0 - 1,5	J Diametro interno / Inside Diameter	NPS ≤ 10" 12" ≤ NPS ≤ 18" NPS ≥ 20"	± 1,0 ± 1,5 +3,0, -1,5
b Spessore / Thickness	NPS ≤ 18" NPS ≥ 20"	+3,0, -0,0 +5,0, -0,0	b Spessore / Thickness	NPS ≤ 18" NPS ≥ 20"	+3,0, -0,0 +5,0, -0,0

CARATTERISTICHE TECNICHE

METODO DI FABBRICAZIONE: forgiato
 MARCATURA: accordo ASTM/ASME B16.5 e MSS SP-25
 ACCIAIO: WP 304/304L, WP 316/316L
Certificati EN 10204/3.1

TECHNICAL INFORMATION

METHOD OF MANUFACTURE: forged
 MARKING: according to ASTM/ASME B16.5 and MSS SP-25
 STEEL: WP 304/304L, WP 316/316L
Certificates: EN 10204/3.1

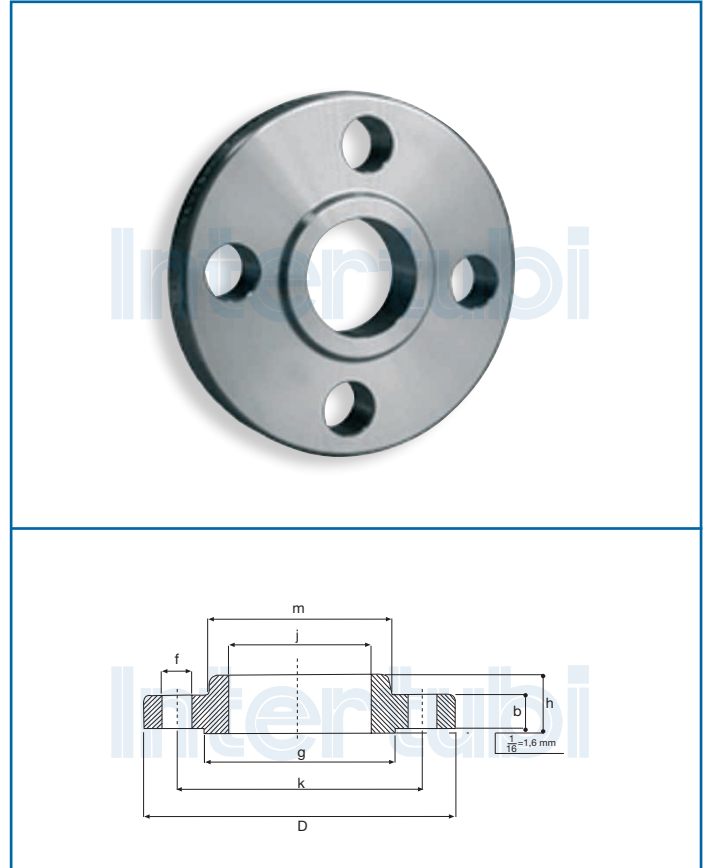
FLANGE SLIP-ON FORGIATE

ASME B 16.5 | ASTM A182
150 / 300 / 600 LBS

FORGED SLIP-ON FLANGES

ASME B 16.5 | ASTM A182
150 / 300 / 600 LBS

150 LB										
Nom. Size	D mm	b mm	g mm	m mm	j mm	h mm	k mm	Fori Holes	f mm	Kg
1/2"	90	11.2	34.9	30	22.2	14	60.3	4	15.9	0.40
3/4"	100	12.7	42.9	38	27.7	14	69.9	4	15.9	0.70
1"	110	14.2	50.8	49	34.5	16	79.4	4	15.9	0.80
1 1/4"	115	15.7	63.5	59	43.2	19	88.9	4	15.9	1.10
1 1/2"	125	17.5	73.0	65	49.5	21	98.4	4	15.9	1.40
2"	150	19.1	92.1	78	61.9	24	120.7	4	19.0	2.20
2 1/2"	180	22.4	104.8	90	74.7	27	139.7	4	19.0	3.60
3"	190	23.9	127.0	108	90.7	29	152.4	4	19.0	4.10
3 1/2"	215	23.9	139.7	122	103.4	30	177.8	8	19.0	5.20
4"	230	23.9	157.2	135	116.1	32	190.5	8	19.0	5.60
5"	255	23.9	185.7	164	143.8	35	215.9	8	22.2	6.30
6"	280	25.4	215.9	192	170.7	38	241.3	8	22.2	7.50
8"	345	28.4	269.9	246	221.5	43	298.4	8	22.2	12.60
10"	405	30.2	323.8	305	276.3	48	361.0	12	25.4	18.50
12"	485	31.8	381.0	365	327.1	54	431.8	12	25.4	28.00
14"	535	34.9	412.7	400	359.1	56	476.2	12	28.6	36.00
16"	595	36.5	469.9	457	410.5	62	539.8	16	28.6	46.00
18"	635	39.6	533.4	505	461.8	67	577.9	16	31.7	50.00
20"	700	42.9	584.2	559	513.1	71	635.0	20	31.7	64.00
24"	815	47.7	692.1	663	616.0	81	749.3	20	34.9	89.00



300 LB										
Nom. Size	D mm	b mm	g mm	m mm	j mm	h mm	k mm	Fori Holes	f mm	Kg
1/2"	95	14.3	34.9	38	22.2	21	66.7	4	15.9	0.70
3/4"	115	15.9	42.9	48	27.7	24	82.6	4	19.0	1.10
1"	125	17.5	50.8	54	34.5	25	88.9	4	19.0	1.40
1 1/4"	135	19.1	63.5	64	43.2	25	98.4	4	19.0	1.80
1 1/2"	155	20.6	73.0	70	49.5	29	114.3	4	22.2	2.60
2"	165	22.2	92.1	84	61.9	32	127.0	4	19.0	3.40
2 1/2"	190	25.4	104.8	100	74.7	37	149.2	4	22.2	4.40
3"	210	28.6	127.0	117	90.7	41	168.3	4	22.2	6.10
3 1/2"	230	30.2	139.7	133	103.4	43	184.2	8	22.2	7.50
4"	255	31.7	157.2	146	116.1	46	200.0	8	22.2	10.10
5"	280	34.9	185.7	178	143.8	49	235.0	8	22.2	12.50
6"	320	36.5	215.9	206	170.7	51	269.9	8	22.2	14.10
8"	380	41.3	269.9	260	221.5	60	330.2	8	25.4	24.80
10"	445	47.6	323.8	321	276.3	65	387.4	12	28.6	37.10
12"	520	50.8	381.0	375	327.1	71	450.8	12	31.7	50.00

600 LB										
Nom. Size	D mm	b mm	g mm	m mm	j mm	h mm	k mm	Fori Holes	f mm	Kg
1/2"	95	14.3	34.9	38	22.2	22	66.7	4	15.9	0.80
3/4"	115	15.9	42.9	48	27.7	25	82.6	4	19.0	1.40
1"	125	17.5	50.8	54	34.5	27	88.9	4	19.0	1.60
1 1/4"	135	20.6	63.5	64	43.2	29	98.4	4	19.0	2.10
1 1/2"	155	22.2	73.0	70	49.5	32	114.3	4	22.2	3.10
2"	165	25.4	92.1	84	61.9	37	127.0	8	19.0	3.70
2 1/2"	190	28.6	104.8	100	74.7	41	149.2	8	22.2	5.40
3"	210	31.7	127.0	117	90.7	46	168.3	8	22.2	7.30
4"	275	38.1	157.2	152	116.1	54	215.9	8	25.4	11.8
5"	330	44.4	185.7	189	143.8	60	266.7	8	28.6	24.5
6"	355	47.6	215.9	222	170.7	67	292.1	12	28.6	29.5
8"	420	55.6	269.9	273	221.5	76	349.2	12	31.7	43.0
10"	510	63.5	323.8	343	276.3	86	431.8	16	34.9	70.0
12"	560	66.7	381.0	400	327.1	92	488.9	20	34.9	86.0

Nota: i dati tecnici su questo catalogo sono indicativi e non impegnativi / Note: the technical data reported in this catalogue is proximate and not binding.
Data di emissione: 2020 Revisione: 01 / Date of issue: 2020 Revision: 01 - Copyright © Intertubi S.p.a. Tutti i diritti riservati / Copyright © Intertubi S.p.a. All rights reserved

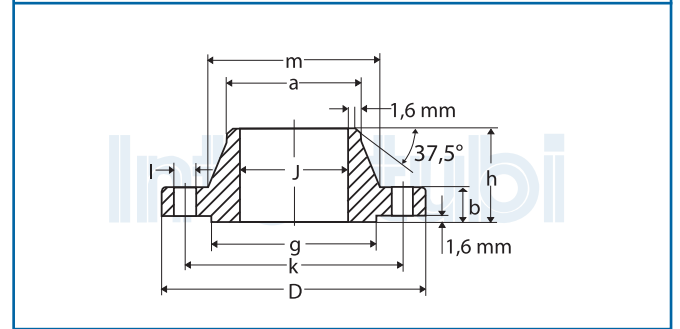
FLANGE WELDING NECK FORGIATE

ASME B 16.5 | ASTM A182
SCH 40S | SCH 10S/80S SU RICHIESTA
150 / 300 / 600 LBS

FORGED WELDING NECK FLANGES

ASME B 16.5 | ASTM A182
SCH 40S | SCH 10S/80S ON REQUEST
150 / 300 / 600 LBS

150 LB												
Nom. Size	O.D. mm	D mm	J mm	b mm	h mm	a mm	m mm	g mm	l mm	k mm	Fori Holes	Kg
1/2"	21.3	90	15.7	11.2	46	21.3	30	35.1	15.7	60.3	4	0.48
3/4"	26.7	100	20.8	12.7	51	26.7	38	42.9	15.7	69.9	4	0.71
1"	33.4	110	26.7	14.2	54	33.5	49	50.8	15.7	79.4	4	1.01
1 1/4"	42.2	115	35.1	15.7	56	42.2	59	63.5	15.7	88.9	4	1.33
1 1/2"	48.3	125	40.9	17.5	60	48.3	65	73.2	15.7	98.4	4	1.72
2"	60.3	150	52.6	19.1	62	60.5	78	91.9	19.1	120.7	4	2.58
2 1/2"	73.0	180	62.7	22.4	68	73.2	90	104.6	19.1	139.7	4	4.11
3"	88.9	190	78.0	23.9	68	88.9	108	127.0	19.1	152.4	4	4.92
4"	114.3	230	102.4	23.9	75	114.3	135	157.2	19.1	190.5	8	6.84
5"	141.3	255	128.3	23.9	87	141.2	164	185.7	22.4	215.9	8	9.20
6"	168.3	280	154.2	25.4	87	168.4	192	215.9	22.4	241.3	8	10.60
8"	219.1	345	202.7	28.4	100	219.2	246	269.7	22.4	298.5	8	17.60
10"	273.0	405	254.8	30.2	100	273.1	305	323.9	25.4	362.0	12	24.00
12"	323.8	485	304.8	31.8	113	323.9	365	381.0	25.4	431.8	12	36.50
14"	355.6	535	336.5	34.9	125	355.6	400	412.7	28.6	476.2	12	51.00
16"	406.4	595	387.3	36.5	125	406.4	457	469.9	28.6	539.8	16	60.00
18"	457.2	635	438.1	39.6	138	457.2	505	533.4	31.8	577.9	16	68.30
20"	508.0	700	488.9	42.9	143	508.0	559	584.2	31.8	635.0	20	84.50
24"	609.6	815	590.5	47.8	151	609.6	663	692.2	35.1	749.3	20	115.00



300 LB												
Nom. Size	O.D. mm	D mm	J mm	b mm	h mm	a mm	m mm	g mm	l mm	k mm	Fori Holes	Kg
1/2"	21.3	95	15.7	14.2	51	21.3	38.1	35.0	15.7	66.7	4	0.75
3/4"	26.7	115	20.8	15.7	56	26.7	47.7	42.9	19.0	82.6	4	1.26
1"	33.4	125	26.7	17.5	60	33.5	53.8	50.8	19.0	88.9	4	1.52
1 1/4"	42.2	135	35.1	19.0	64	42.2	63.5	63.5	19.0	98.4	4	2.03
1 1/2"	48.3	155	40.9	20.6	67	48.3	69.5	73.1	22.3	114.3	4	2.89
2"	60.3	165	52.6	22.3	67	60.4	84.0	91.9	19.0	127.0	8	3.40
2 1/2"	73.0	190	62.7	25.4	75	73.1	100.0	104.6	22.3	149.2	8	5.17
3"	88.9	210	78.0	28.4	78	88.9	117.3	127.0	22.3	168.3	8	6.93
4"	114.3	255	102.4	31.7	84	114.3	146.0	157.2	22.3	200.0	8	11.20
5"	141.3	280	128.3	35.1	97	141.3	177.8	185.7	22.4	235.0	8	15.10
6"	168.3	320	154.2	36.5	97	168.4	206.2	215.9	22.3	269.7	12	19.10
8"	219.1	380	202.7	41.1	110	219.2	260.3	269.7	25.4	330.2	12	29.90
10"	273.0	445	254.8	47.6	116	273.1	320.7	323.8	28.6	387.3	16	44.30
12"	323.8	520	304.8	50.8	129	323.9	374.6	381.0	31.7	450.8	16	64.00

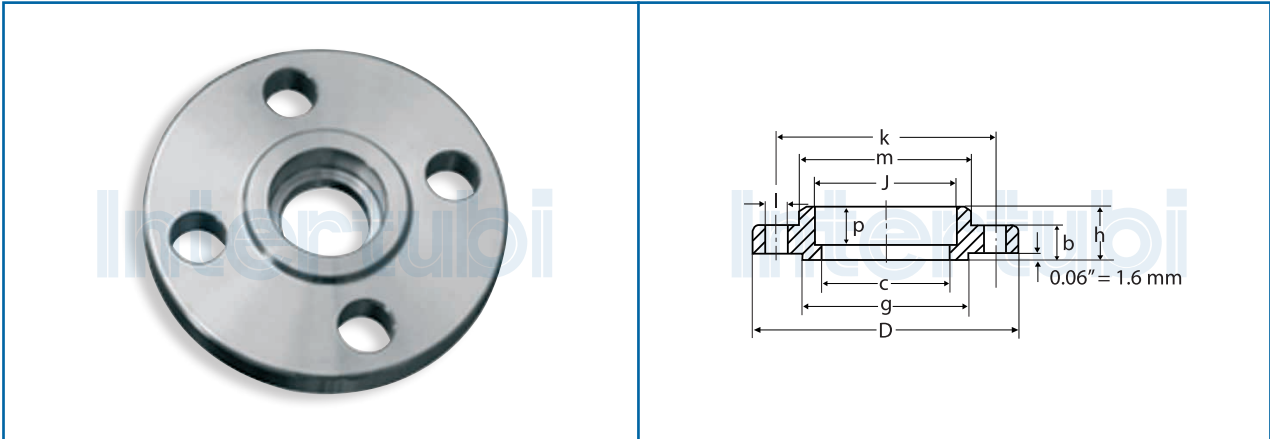
600 LB											
Nom. Size	D mm	J mm	b mm	h mm	a mm	m mm	g mm	l mm	k mm	Fori Holes	Kg
1/2"	95	15.7	14.2	52	21.3	38.1	35.0	15.7	66.7	4	0.90
3/4"	115	20.8	15.7	57	26.7	47.7	42.9	19.0	82.6	4	1.50
1"	125	26.7	17.5	62	33.5	53.8	50.8	19.0	88.9	4	1.90
1 1/4"	135	35.1	20.6	67	42.2	63.5	63.5	19.0	98.4	4	2.60
1 1/2"	155	40.9	22.2	70	48.3	69.5	73.1	22.2	114.3	4	3.30
2"	165	52.6	25.4	73	60.4	84.0	91.9	19.0	127.0	8	4.70
2 1/2"	190	62.7	28.6	79	73.1	100.0	104.6	22.2	149.2	8	6.50
3"	210	78.0	31.7	83	88.9	117.3	127.0	22.2	168.3	8	8.70
4"	275	102.4	38.1	102	114.3	152	157.2	25.4	215.9	8	18.1
5"	330	128.3	44.4	110	141.3	189	185.7	28.6	266.7	8	30.5
6"	355	154.2	47.6	117	168.4	222	215.9	28.6	292.1	12	36.2
8"	420	202.7	55.6	133	219.2	273	269.7	31.7	349.2	12	56.5
10"	510	254.8	63.5	152	273.1	343	323.8	34.9	431.8	16	91.0
12"	560	304.8	66.7	156	323.9	400	381.0	34.9	488.9	20	105

FLANGE DA SALDARE A TASCA FORGIATE

ASME B 16.5 | ASTM A182 | ASTM A403
SCH 40S
150 / 300 LBS

FORGED SOCKET WELDING FLANGES

ASME B 16.5 | ASTM A182 | ASTM A403
SCH 40S
150 / 300 LBS



150 LB													
Nom. Size	O.D. mm	D mm	J mm	c mm	p mm	b mm	h mm	m mm	g mm	Fori Holes	l mm	k mm	Kg
1/2"	21.3	90	22.2	15.7	9.7	11.2	14	30	35.1	4	15.7	60.3	0.42
3/4"	26.7	100	27.7	20.8	11.2	12.7	14	38	42.9	4	15.7	69.9	0.59
1"	33.4	110	34.5	26.7	12.7	14.2	16	49	50.8	4	15.7	79.4	0.81
1 1/4"	42.2	115	43.2	35.1	14.2	15.7	19	59	63.5	4	15.7	88.9	1.07
1 1/2"	48.3	125	49.5	40.9	15.7	17.5	21	65	73.2	4	15.7	98.4	1.36
2"	60.3	150	61.9	52.6	17.5	19.1	24	78	91.9	4	19.1	120.7	2.10
2 1/2"	73	180	74.6	75.4	20.7	22.3	27	90	140.6	4	19.1	139.7	3.4
3"	88.9	190	90.7	77.9	22.3	23.9	29	108	127.0	4	19.1	152.4	3.9
4"	114	230	116.1	102.3	22.3	23.9	32	135	157.2	8	19.1	190.5	5.9
5"	141.3	255	143.8	128.2	22.3	23.9	35	164	185.7	8	22.2	215.9	6.8
6"	168.3	280	170.7	154.1	23.9	25.4	38	192	215.9	8	22.2	241.3	8.6
8"	219.1	345	221.5	202.7	27.0	28.6	43	246	269.9	8	22.4	298.5	13.7

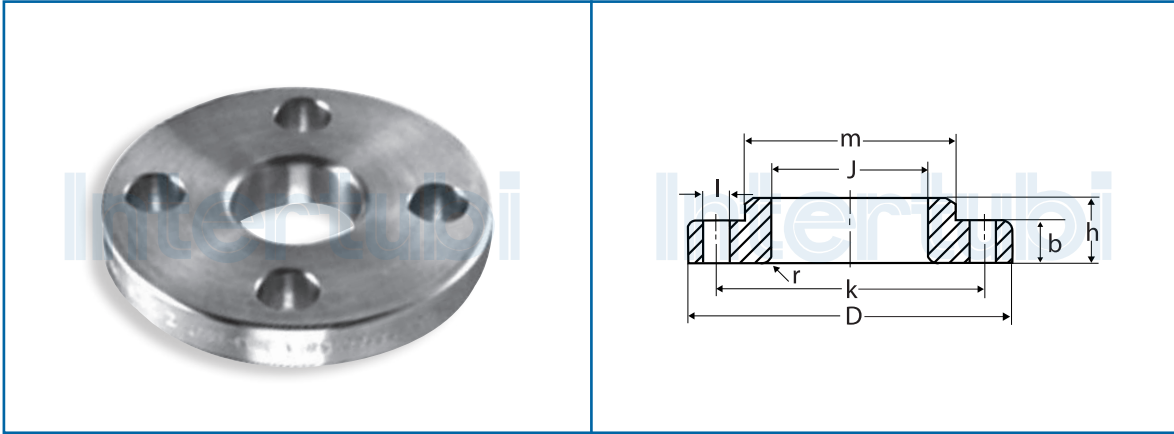
300 LB													
Nom. Size	O.D. mm	D mm	J mm	c mm	p mm	b mm	h mm	m mm	g mm	Fori Holes	l mm	k mm	Kg
1/2"	21.3	95	22.2	15.7	9.7	14.2	21	38	35.1	4	15.7	66.7	0.66
3/4"	26.7	115	27.7	20.8	11.2	15.7	24	48	42.9	4	19.1	82.6	1.15
1"	33.4	125	34.5	26.7	12.7	17.5	25	54	50.8	4	19.1	88.9	1.40
1 1/4"	42.2	135	43.2	35.1	14.2	19.1	25	64	63.5	4	19.1	98.4	1.75
1 1/2"	48.3	155	49.5	40.9	15.7	20.6	29	70	73.2	4	22.4	114.3	2.55
2"	60.3	165	61.9	52.6	17.5	22.4	32	84	91.9	8	19.1	127.0	2.93
2 1/2"	73	190	74.7	62.7	19	25.4	37	100	104.6	8	22.3	149.3	4.4
3"	88.9	210	90.7	77.9	20.6	28.6	41	117.3	127.0	8	22.3	168.1	6.0
4"	114	255	116.1	102.3	23.8	31.8	46	146	157.2	8	22.3	200.0	10

Nota: i dati tecnici su questo catalogo sono indicativi e non impegnativi / Note: the technical data reported in this catalogue is proximate and not binding.
Data di emissione: 2020 Revisione: 01 / Date of issue: 2020 Revision: 01 - Copyright © Intertubi S.p.a. Tutti i diritti riservati / Copyright © Intertubi S.p.a. All rights reserved

FLANGE LAP JOINT FORGIATE

 ASME B 16.5 | ASTM A182 | ASTM A403
 150 / 300 LBS

FORGED LAP JOINT FLANGES

 ASME B 16.5 | ASTM A182 | ASTM A403
 150 / 300 LBS


150 LB											
Nom. Size	O.D. mm	D mm	J mm	b mm	h mm	r mm	m mm	l mm	k mm	Fori Holes	Kg
1/2"	21.3	90	22.9	11.2	16	3	30	15.7	60.3	4	0.39
3/4"	26.7	100	28.2	12.7	16	3	38	15.7	69.9	4	0.56
1"	33.4	110	34.9	14.2	17	3	49	15.7	79.4	4	0.78
1 1/2"	48.3	125	50.0	17.5	22	6	65	15.7	98.4	4	1.32
2"	60.3	150	62.5	19.1	25	8	78	19.1	120.7	4	2.06
3"	88.9	190	91.4	23.9	30	10	108	19.1	152.4	4	3.20
4"	114.3	230	116.8	23.9	33	11	135	19.1	190.5	8	5.30
6"	168.3	280	171.4	25.4	40	13	192	22.2	241.3	8	7.45
8"	219.1	345	222.2	28.6	44	13	246	22.4	298.5	8	12.6
10"	273.0	405	277.4	30.2	49	13	305	22.4	362.0	12	16.1
12"	323.8	485	328.2	31.8	56	13	365	25.4	431.8	12	28.3

300 LB											
Nom. Size	O.D. mm	D mm	J mm	b mm	h mm	r mm	m mm	l mm	k mm	Fori Holes	Kg
1/2"	21.3	95	22.9	14.3	16	3	38	15.7	66.7	4	0.61
3/4"	26.7	115	28.2	15.9	16	3	48	19.1	82.6	4	1.15
1"	33.4	125	34.9	17.5	18	3	54	19.1	88.9	4	1.39
1 1/4"	42.2	135	43.7	19.1	21	5	64	19.1	98.4	4	1.66
1 1/2"	48.3	155	50.0	20.7	23	6	70	22.4	114.3	4	2.52
2"	60.3	165	62.5	22.3	29	8	84	19.1	127.0	8	2.79
2 1/2"	73.0	190	75.4	25.4	32	8	100	22.4	149.2	8	4.22
3"	88.9	210	91.4	28.6	32	10	117	22.4	168.3	8	5.78
4"	114.3	255	116.8	31.8	37	11	146	22.4	200.0	8	7.72
6"	168.3	320	171.4	36.6	47	13	206	22.4	269.9	12	10.07

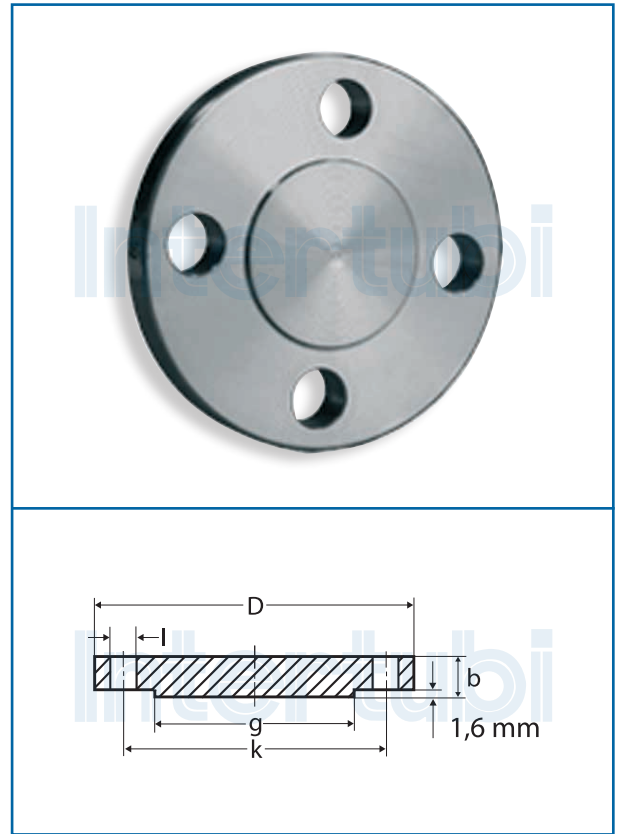
FLANGE CIECHE FORGIATE

ASME B 16.5 | ASTM A182 | ASTM A 403
150 / 300 / 600 LBS

FORGED BLIND FLANGES

ASME B 16.5 | ASTM A182 | ASTM A 403
150 / 300 / 600 LBS

150 LB								
Nom. Size	O.D. mm	D mm	b mm	g mm	l mm	k mm	Fori Holes	Kg
1/2"	21.3	90	11.2	35.1	15.7	60.3	4	0.42
3/4"	26.7	100	12.7	42.9	15.7	69.9	4	0.61
1"	33.4	110	14.2	50.8	15.7	79.4	4	0.86
1 1/4"	42.2	115	15.7	63.5	15.7	88.9	4	1.30
1 1/2"	48.3	125	17.5	73.2	15.7	98.4	4	1.53
2"	60.3	150	19.1	91.9	19.1	120.7	4	2.42
2 1/2"	73.0	180	22.3	104.8	19.1	139.7	4	4.10
3"	88.9	190	23.9	127.0	19.1	152.4	8	4.93
4"	114.3	230	23.9	157.2	19.1	190.5	8	7.00
5"	141.3	255	23.9	185.7	22.4	215.9	8	9.00
6"	168.3	280	25.4	215.9	22.4	241.3	8	11.30
8"	219.1	345	28.4	269.7	22.4	298.5	8	19.69
10"	273.0	405	30.2	323.9	25.4	362.0	12	28.80
12"	323.8	485	31.8	381.0	25.4	431.8	12	43.20
14"	355.6	535	35.0	412.7	25.4	476.2	12	59.00
16"	406.4	595	36.6	469.9	28.6	539.8	16	79.00
18"	457.2	635	39.7	533.4	31.8	577.9	16	93.70
20"	508.0	700	42.9	584.2	31.8	635.0	20	122.00
24"	609.6	815	47.7	692.2	35.1	749.3	20	185.00



300 LB								
Nom. Size	O.D. mm	D mm	b mm	g mm	l mm	k mm	Fori Holes	Kg
1/2"	21.3	95	14.3	35.0	15.7	66.7	4	0.64
3/4"	26.7	115	15.9	42.9	19.0	82.6	4	1.11
1"	33.4	125	17.5	50.8	19.0	88.9	4	1.39
1 1/4"	42.2	135	19.1	63.5	19.0	98.4	4	2.00
1 1/2"	48.3	155	20.7	73.1	22.3	114.3	4	2.66
2"	60.3	165	22.3	91.9	19.0	127.0	8	3.18
2 1/2"	73.0	190	25.4	104.8	22.3	149.2	8	5.10
3"	88.9	210	28.6	127.0	22.3	168.3	8	6.81
4"	114.3	255	31.8	157.2	22.3	200.0	8	11.50
5"	141.3	280	35.0	185.7	22.3	235.0	8	14.50
6"	168.3	320	36.6	215.9	22.3	269.9	12	20.90
8"	219.1	380	41.3	269.7	25.4	330.2	12	34.30
10"	273.0	445	47.7	323.8	28.6	387.4	16	57.00
12"	323.8	520	50.8	381.0	31.7	450.8	16	87.00

600 LB							
Nom. Size	D mm	b mm	g mm	l mm	k mm	Fori Holes	Kg
1/2"	95	14.3	35.0	15.7	66.7	4	0.70
3/4"	115	15.9	42.9	19.0	82.6	4	1.20
1"	125	17.5	50.8	19.0	88.9	4	1.50
1 1/4"	135	20.7	63.5	19.0	98.4	4	2.00
1 1/2"	155	22.3	73.1	22.2	114.3	4	3.20
2"	165	25.4	91.9	19.0	127.0	8	4.30
2 1/2"	190	28.6	104.8	22.2	149.2	8	6.00
3"	210	31.7	127.0	22.2	168.3	8	8.00
4"	275	38.1	157.2	25.4	215.9	8	18.0
5"	330	44.4	185.7	28.6	266.7	8	28.5
6"	355	47.6	215.9	28.6	292.1	12	35.5
8"	420	55.6	269.7	31.7	349.2	12	58.0
10"	510	63.5	323.8	34.9	431.8	16	98.0
12"	560	66.7	381.0	34.9	488.9	20	125

Nota: i dati tecnici su questo catalogo sono indicativi e non impegnativi / Note: the technical data reported in this catalogue is proximate and not binding.
Data di emissione: 2020 Revisione: 01 / Date of issue: 2020 Revision: 01 - Copyright © Intertubi S.p.a. Tutti i diritti riservati / Copyright © Intertubi S.p.a. All rights reserved