



ACCIAIO INOX | STAINLESS STEEL

RACCORDERIA FILETTATA ISO 4144
THREADED FITTINGS ISO 4144

INFORMAZIONI GENERALI | GENERAL INFORMATION

I raccordi filettati forniti da Intertubi si distinguono in due diverse tipologie: **Tipo standard ISO 4144** e **Tipo pesante EN-10241**
*The threaded fittings provided by INTERTUBI are divided into two different types: **Standard Type ISO 4144** and **Heavy Type EN-10241***

ISO 4144 TOLLERANZE | TOLERANCES:

I valori riportati nelle tabelle sulla lunghezza sono valori minimi e si applicano per tutti i raccordi.
The length values shown in the tables are minimum values and they are applied for all fittings.

Il Diametro esterno e interno indicato nelle tabelle è un valore minimo e si applica per tutti i raccordi.
Outside and inside diameter shown in the tables is a minimum value and is applied for all fittings.

Le tolleranze sullo spessore di parete devono essere le seguenti:
Tolerances on wall thickness must be the following:

DIMENSIONI / DIMENSIONS:	1/8"	1/4"	3/8"	1/2"	3/4"	1"	1 1/4"	1 1/2"	2"	2 1/2"	3"	4"
ISO-4144 Valori minimi / Minimum values	1,5	1,5	1,5	1,6	1,7	1,9	2,2	2,4	2,7	3,2	3,6	4,1

EN-10241 TOLLERANZE | TOLERANCES

Le tolleranze sulla lunghezza del raccordo:
Tolerances on fitting length:

DIMENSIONI / DIMENSIONS: mm	Fino a 25 compreso	> di 25 fino a 40	> di 40 fino a 65	> di 6 fino a 75	> di 75 fino a 150	> di 150
Tolleranze <i>Tolerances</i>	+1,5 0	+3,0 0	+4,5 0	+6,0 0	+8,0 0	+10,0 0

Il Diametro esterno e interno indicato nelle tabelle è un valore minimo e si applica per tutti i raccordi.
Outside and inside diameter shown in the tables is a minimum value and is applied for all fittings.

Le tolleranze sullo spessore di parete devono essere le seguenti:
Tolerances on wall thickness must be the following:

DIMENSIONI / DIMENSIONS:	1/8"	1/4"	3/8"	1/2"	3/4"	1"	1 1/4"	1 1/2"	2"	2 1/2"	3"	4"
Serie media	2,0	2,3	2,3	2,6	2,6	3,2	3,2	3,2	3,6	3,6	4,0	4,5
Serie pesante	2,6	2,9	2,9	3,2	3,2	4,0	4,0	4,0	4,5	4,5	5,0	5,4
Tolleranze / Tolerances	+0 -12,5%	+0 -12,5%	+0 -12,5%	+0 -12,5%	+0 -12,5%	+0 -12,5%	+0 -12,5%	+0 -12,5%	+0 -12,5%	+0 -12,5%	+0 -12,5%	+0 -12,5%

CARATTERISTICHE TECNICHE | TECHNICAL INFORMATION

TIPO STANDARD ISO 4144 | STANDARD TYPE ISO 4144

Esecuzione: Microfusione
 Dimensioni e tolleranze in accordo ISO 4144
 Filettatura: conforme a EN 10226-1 (EX ISO 7-1) (filetto maschio conico, filetto femmina cilindrico)
 Acciaio: AISI 316/EN 1.4401
 Pressione desercizio: 150 Lbs

Execution: Microcasting
 Dimensions and tolerances according ISO 4144
 Thread: according to EN 10226-1 (EX ISO 7-1) (conical male thread, cylindrical female thread)
 Steel: AISI 316/EN 1.4401
 Rate pressure: 150 Lbs

Certificati EN 10204/2.1 | Certificates: EN 10204/2.1

TIPO PESANTE EN-10241 | HEAVY TYPE EN-10241

Esecuzione: Microfusione
 Caratteristiche dimensionali tipo EN-10241
 Filettatura: conforme a EN 10226-1 (EX ISO 7-1) (filetto maschio conico, filetto femmina cilindrico)
 Acciaio: AISI 316/EN 1.4401
 Pressione desercizio: 150 Lbs

Execution: Microcasting
 Dimensional characteristics type to EN-10241
 Thread: according to EN 10226-1 (EX ISO 7-1) (conical male thread, cylindrical female thread)
 Steel: AISI 316/EN 1.4401
 Rate pressure: 150 Lbs

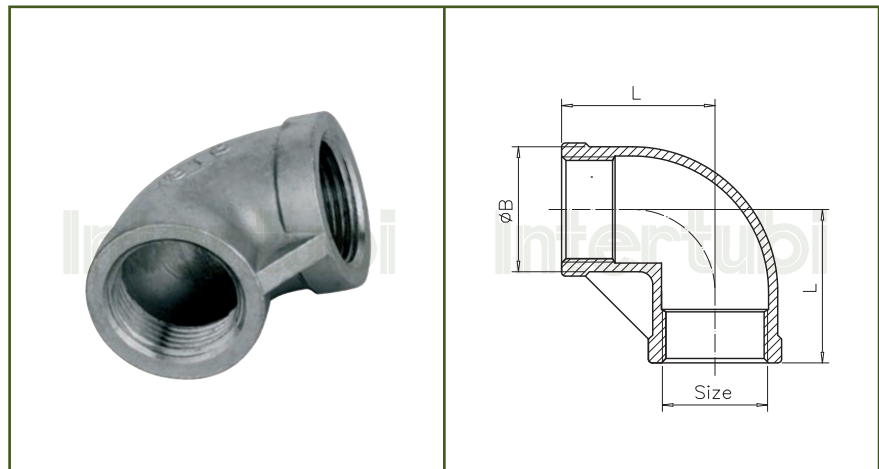
Certificati EN 10204/2.1 | Certificates: EN 10204/2.1

IF 90 GOMITO

ISO 4144

ELBOW F/F

ISO 4144



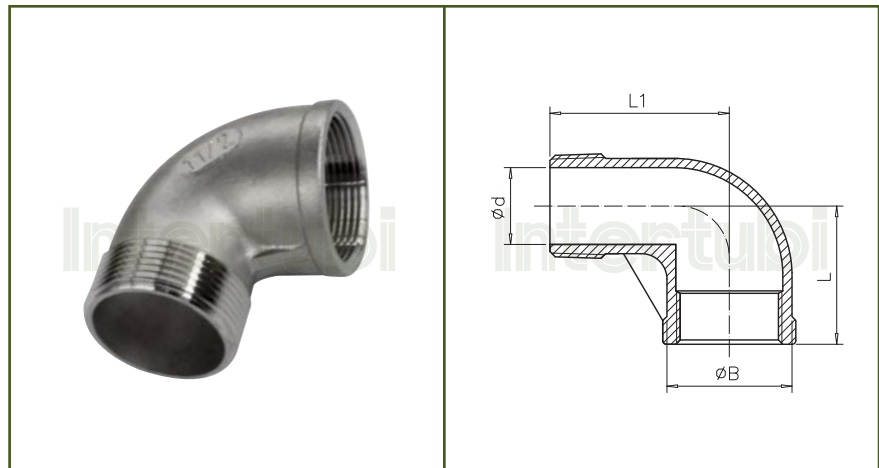
Size mm	1/8"	1/4"	3/8"	1/2"	3/4"	1"	1 1/4"	1 1/2"	2"	2 1/2"	3"	4"
B	13	16.5	20	25.2	30	37.5	46.5	53	65.5	82	95.5	121.5
L	17	19	23	27	32	38	45	48	57	69	78	96

IF 92 GOMITO M/F

ISO 4144

STREET ELBOW M/F

ISO 4144



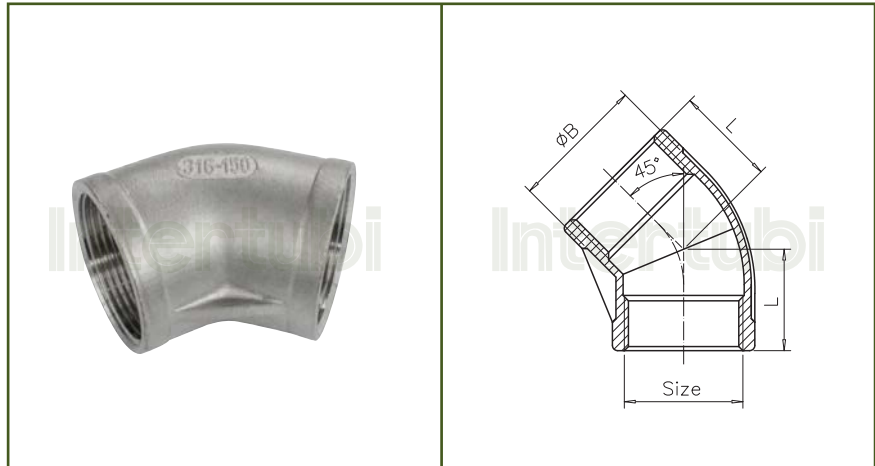
Size mm	1/8"	1/4"	3/8"	1/2"	3/4"	1"	1 1/4"	1 1/2"	2"	2 1/2"	3"	4"
B	13	16.7	19.7	24.5	30	37.5	46.5	53	65.5	82	95.5	121.5
d	5.5	8	11.5	15	20.5	26	34.5	40	51	65.5	77.5	101.5
L	17	19	23	27	32	38	45	48	57	69	78	97
L1	26	27	29	35	40	46	54	57	70	83	94	115

IF 120 GOMITO 45°

ISO 4144

ELBOW 45°

ISO 4144



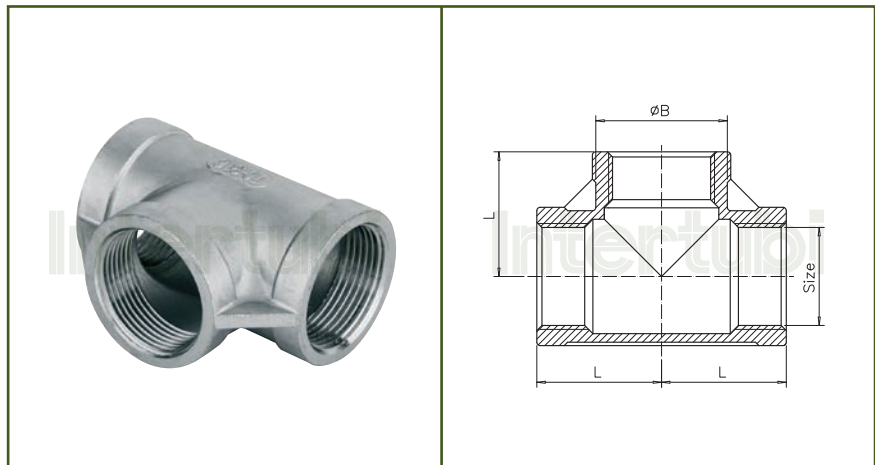
Size mm	1/8"	1/4"	3/8"	1/2"	3/4"	1"	1 1/4"	1 1/2"	2"	2 1/2"	3"	4"
B	13	16.5	19.7	24.5	30	37.5	46.5	53	65.5	82	95.5	121.5
L	16	17	19	21	25	29	33	37	42	49	54	64

IF 130 TEE

ISO 4144

TEE

ISO 4144



Size mm	1/8"	1/4"	3/8"	1/2"	3/4"	1"	1 1/4"	1 1/2"	2"	2 1/2"	3"	4"
B	13	16.5	20	24.5	30	37.5	46.5	53	65.5	82	95.5	121.5
L	17	19	23	27	32	38	45	48	57	69	78	96

IF 292 TAPPO MASCHIO

ISO 4144

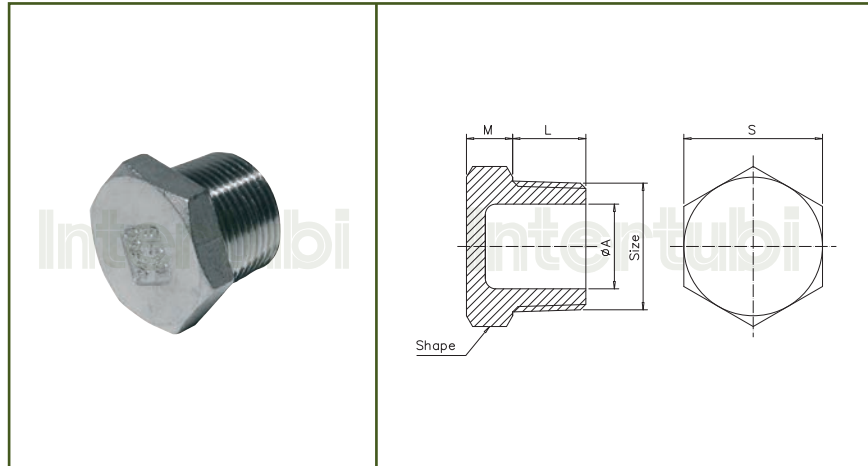
HEX PLUG

ISO 4144

Forma | Shape:

1/8" - 1/2" Esagono - Hexagon

3/4" - 4" Ottagono - Octagon



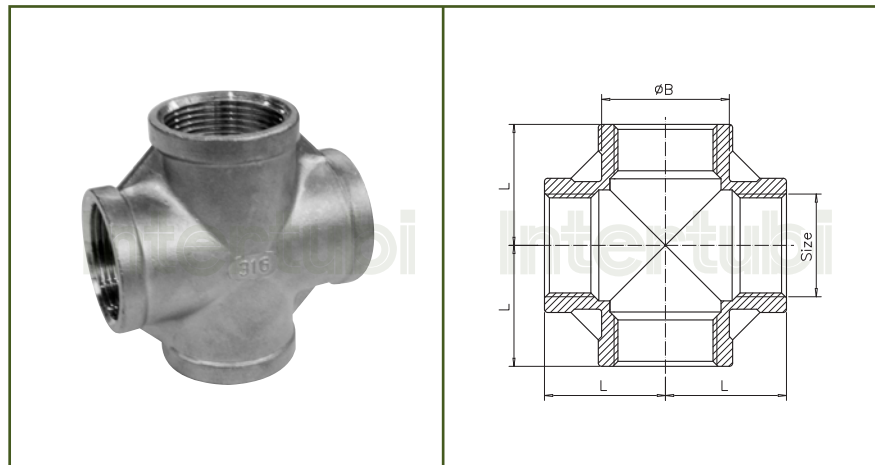
Size mm	1/8"	1/4"	3/8"	1/2"	3/4"	1"	1 1/4"	1 1/2"	2"	2 1/2"	3"	4"
A	5.5	8	11.5	15	20.5	26	34.5	40	51	65.5	77.5	101.5
S	12.5	15	18.5	22.5	28	35	44	50.5	62.5	78.5	92	118
M	4	4	5	5	5.5	6	6.5	6.5	7	7	7.5	8
L	8	10.5	11	14.5	15.5	18	20.5	20.5	25	27	30	36

IF 180 CROCE FEMMINA

ISO 4144

CROSS

ISO 4144



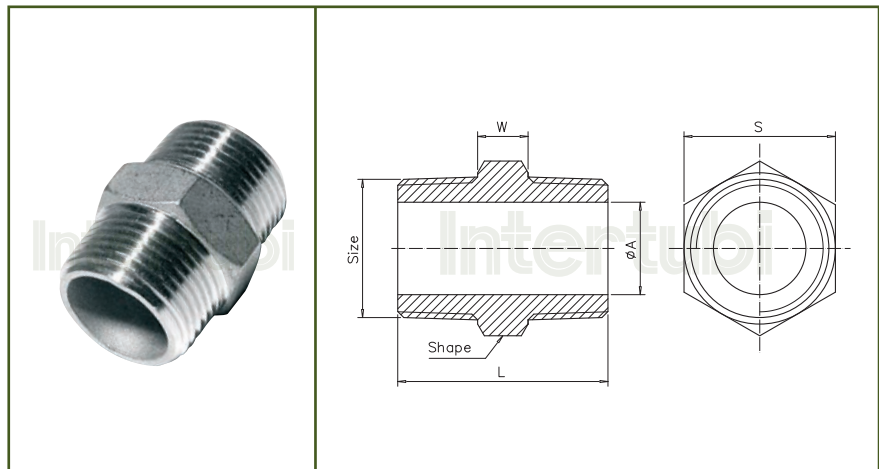
Size mm	1/8"	1/4"	3/8"	1/2"	3/4"	1"	1 1/4"	1 1/2"	2"	2 1/2"	3"	4"
Ø B	13.7	16.7	20.7	25.2	30.7	38.2	47.5	54	66.5	83.5	97	123
L	17	19	23	27	32	38	45	48	57	69	78	97

IF 280 NIPPLLO

ISO 4144

NIPPLE

ISO 4144



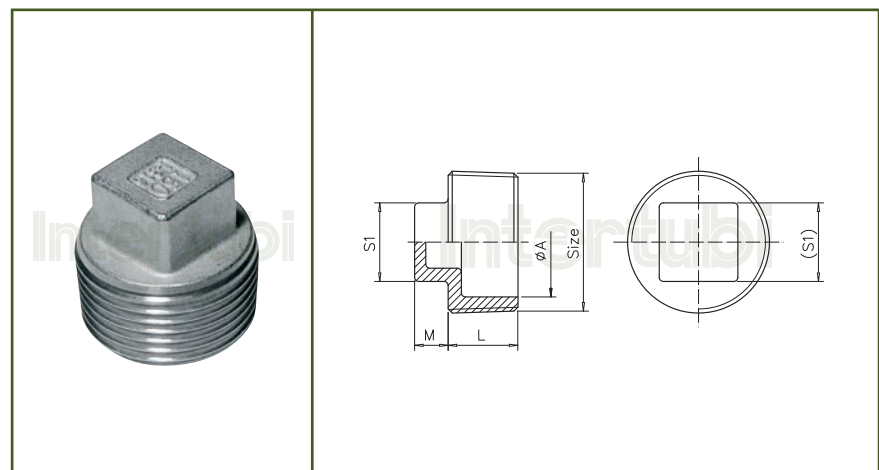
Size mm	1/8"	1/4"	3/8"	1/2"	3/4"	1"	1 1/4"	1 1/2"	2"	2 1/2"	3"	4"
L	20	25	27	34	36.5	42	47.5	47.5	57	61	67.5	80
A	5.5	8	11.5	15	20.5	26	34.5	40	51	65.5	77.5	101.5
S	11	15	18	22	28	35	43.5	49.5	62	77.5	90.5	117
W	4	4	5	5	5.5	6	6.5	6.5	7	7	7.5	8

**IF 290 TAPPO
TESTA QUADRA**

ISO 4144

SQUARE PLUG

ISO 4144



Forma | Shape:

1/8" - 1/2" Esagono - Hexagon

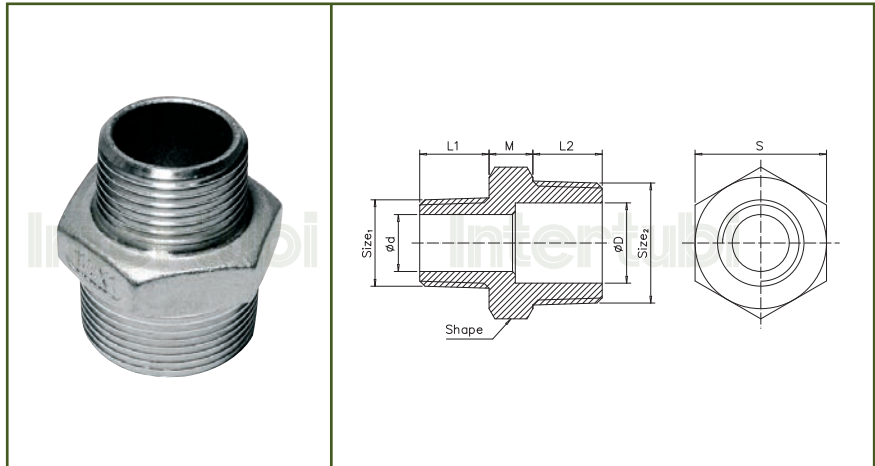
3/4" - 2" Ottagono - Octagon

2 1/2" - 4" Decagono - Decagon

Size mm	1/8"	1/4"	3/8"	1/2"	3/4"	1"	1 1/4"	1 1/2"	2"	2 1/2"	3"	4"
L	6	8.5	9	11.5	13	14.5	17	17	21.5	23.5	26.5	32.5
S1	7	9	10	11	15	18	20.5	22	28	32	36	42
A	5.5	8	11.5	15	20.5	26.5	34.5	40	51	65.5	77.5	101.5
M	5	5	6	7	8	11	11	12	13	15	15	19

IF 245 NIPPLO RIDOTTO
ISO 4144

RED NIPPLE
ISO 4144



Size 1	1/4"	3/8"			1/2"			3/4"			1"				1 1/4"			
Size 2	1/8"	1/8"	1/4"	1/8"	1/4"	3/8"	1/4"	3/8"	1/2"	1/4"	3/8"	1/2"	3/4"	1/2"	3/4"	3/4"	1"	
L1	8	8	10.5	8	10.5	11	10.5	11	14.5	10.5	11	14.5	15.5	14.5	15.5	15.5	18	
L2	10.5	11	11	14.5	14.5	14.5	14.5	15.5	15.5	14.5	18	18	18	18	18	20.5	20.5	
M	4	5	5	5	5	5	5	5.5	5.5	5	6	6	6	6	6	6.5	6.5	
d	5.5	5.5	8	5.5	8	11.5	8	11.5	15	8	11.5	15	20.5	15	20.5	20.5	26	
D	8	11.5			15			20.5			26				34.5			

Size 1	1 1/2"			2"				2 1/2"		3"		4"		
Size 2	1/2"	3/4"	1"	1 1/4"	3/4"	1"	1 1/4"	1 1/2"	1 1/2"	2"	2"	2 1/2"	2 1/2"	3"
L1	14.5	15.5	18	20.5	15.5	18	20.5	20.5	20.5	25	25	27	27	30
L2	18	18	20.5	20.5	18	25	25	25	27	27	30	30	36	36
M	6	6	6.5	6.5	6	7	7	7	7	7	7.5	7.5	8	8
d	15	20.5	26	34.5	20.5	26	34.5	40	40	51	51	65.5	65.5	77.5
D	40				51				65.5		77.5		101.5	

* Dimensione non standard | Means the size is not standard

Forma | Shape:

1/8" - 1/2" Esagono - Hexagon

3/4" - 2" Ottagono - Octagon

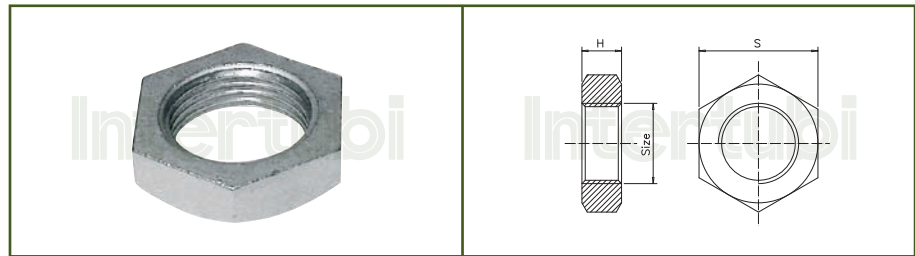
2 1/2" - 4" Decagono - Decagon

IF 310 CONTRODADO

ISO 4144

BACK NUT

ISO 4144



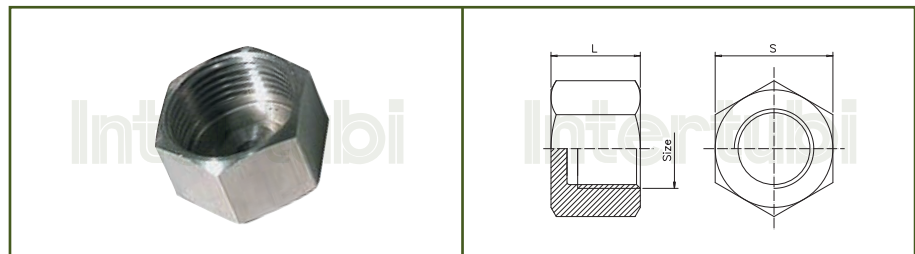
Size mm	1/8"	1/4"	3/8"	1/2"	3/4"	1"	1 1/4"	1 1/2"	2"	2 1/2"	3"	4"
H	5	6	6	7	7	9	11	11	13	15	17	19
S	16	18	24	30	34	42.5	52	58	72	85	100	125

IF 300 CALOTTA ESAGONALE

ISO 4144

HEXAGONAL CAP

ISO 4144



Size mm	1/8"	1/4"	3/8"	1/2"	3/4"	1"	1 1/4"	1 1/2"	2"	2 1/2"	3"	4"
S	13	16.5	20	24.5	30	37.5	46.5	53	65.5	82	95.5	121.5
L	12.5	16	16.5	21	22.5	26	29	29	33.5	38.5	42	48.5

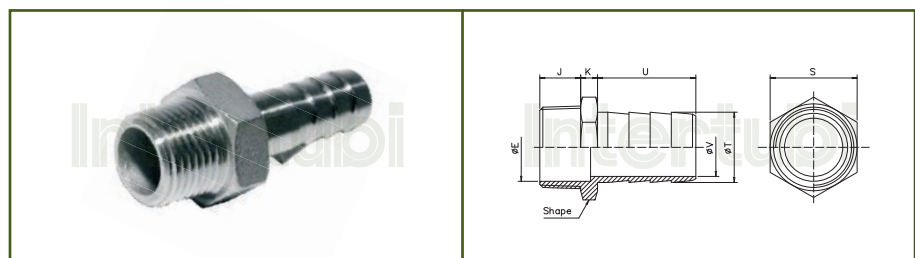
Forma | Shape: 1/8" - 1/2" Esagono - Hexagon 3/4" - 2" Ottagono - Octagon 2 1/2" - 4" Decagono - Decagon

IF 344 PORTAGOMMA

ISO 4144

HOSE NIPPLE

ISO 4144

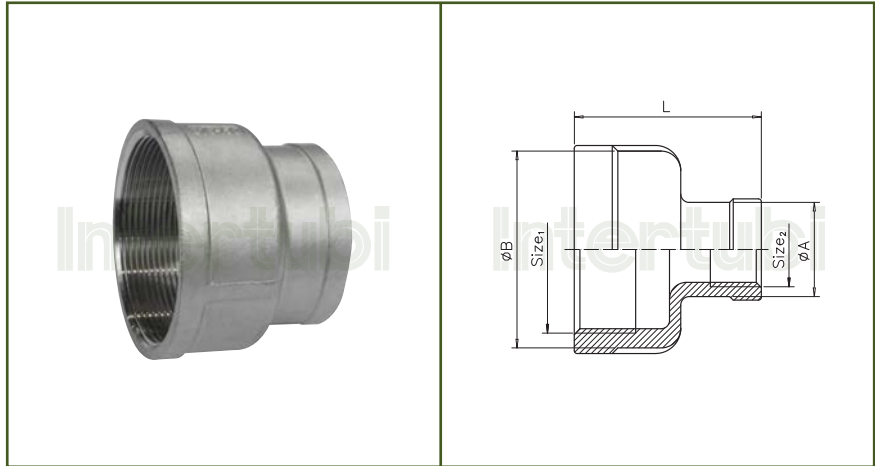


Size mm	1/8"	1/4"	3/8"	1/2"	3/4"	1"	1 1/4"	1 1/2"	2"	2 1/2"	3"	4"
E	5.5	8	11.5	15	20.5	26	34.5	40	51	65.5	77.5	102
J	8	10.5	11	14.5	15.5	18	20.5	20.5	25	27	30	34.5
K	4	4	5	5	5.5	6	6.5	6.5	7	7	7.5	9.5
U	23	28	33	38	45	52	52	56	60	65	70	73
V	4	5	7	10.5	16	22	27.5	34.5	46	59	71	95
T	8	9	11	15	21	27	33	39.5	52	67	80	105
S	11	15	18	22	28	35	44	50	61.5	78	90	117

Forma | Shape: 1/8" - 1/2" Esagono - Hexagon 3/4" - 2" Ottagono - Octagon 2 1/2" - 4" Decagono - Decagon

**IF 240 MANICOTTO
RIDOTTO**
ISO 4144

REDUCING COUPLING
ISO 4144



Size 1	1/4"			3/8"			1/2"			3/4"				1"			1 1/4"		
	1/8"	1/8"	1/4"	1/8"	1/4"	3/8"	1/8"	1/4"	3/8"	1/2"	1/4"	3/8"	1/2"	3/4"	1/2"	3/4"	1"		
A	13	13	16.5	13	16.5	20	13	16.5	20	24.5	16.5	20	24.5	30	24.5	30	37.5		
B	16.5	20		24.5			30				37.5			46.5					
L	25	26		34			36				42			48					

Size 1	1 1/2"			2"				2 1/2"		3"		4"		
	1/2"	3/4"	1"	1 1/4"	3/4"	1"	1 1/4"	1 1/2"	1 1/2"	2"	2"	2 1/2"	2 1/2"	3"
A	24.5	30	37.5	46.5	30	37.5	46.5	53	53	65.5	65.5	82	82	95.5
B	53			65.5				81.5		95.5		121.5		
L	52			58				65		72		94		

* Dimensione non standard | Means the size is not standard

IF 340 BOCCHETTONE F/F
 ISO 4144

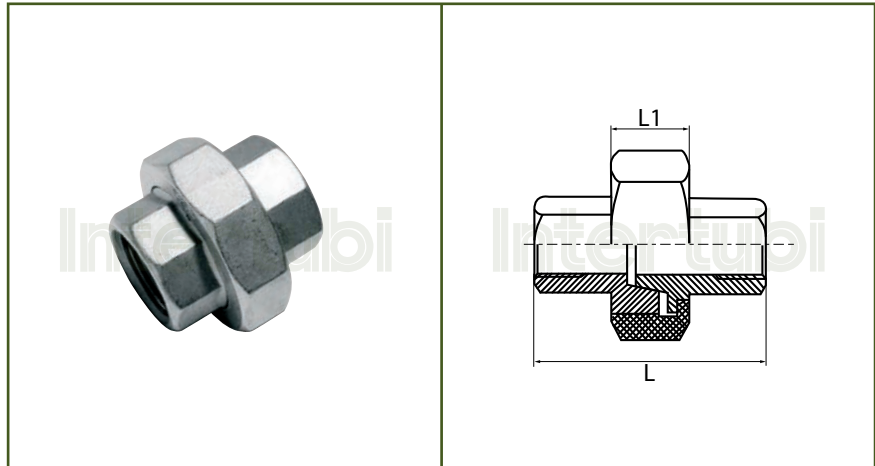
UNION CONICAL F/F
 ISO 4144

Forma | Shape:

1/8" - 1/2" Esagono - Hexagon

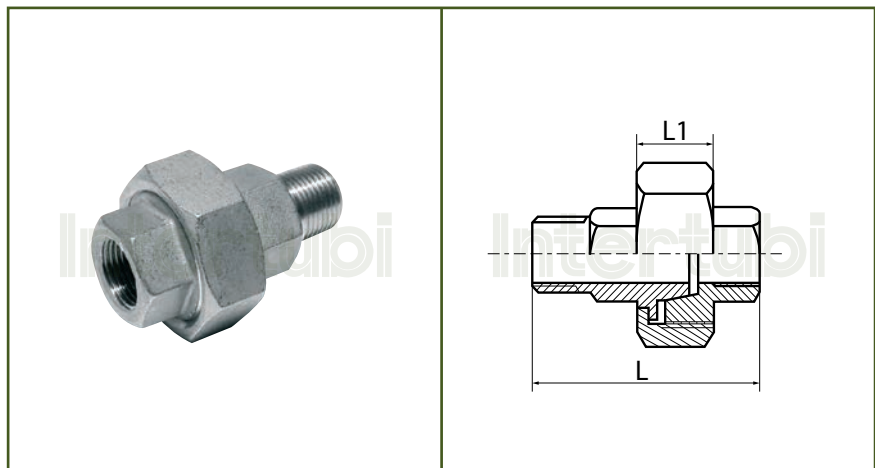
3/4" - 2" Ottagono - Octagon

2 1/2" - 4" Decagono - Decagon



Size mm	1/8"	1/4"	3/8"	1/2"	3/4"	1"	1 1/4"	1 1/2"	2"	2 1/2"	3"	4"
L1	13	13.5	15	16	17	20	22	24	27	29.5	31	34
L	30	33.5	36.5	39.5	42.5	50	54	58	65	75	83	110
SP/THK	1.5	1.5	1.5	1.6	1.7	1.9	2.2	2.4	2.7	3.2	3.6	4.1

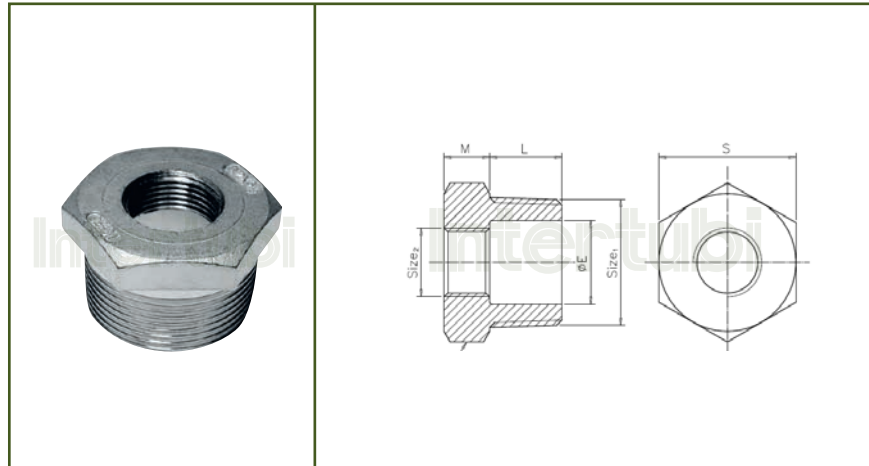
IF 341 BOCCHETTONE M/F
 ISO 4144

UNION CONICAL M/F
 ISO 4144


Size mm	1/8"	1/4"	3/8"	1/2"	3/4"	1"	1 1/4"	1 1/2"	2"	2 1/2"	3"	4"
L1	13	13.5	15	16	17	20	22	24	27	29.5	31	34
L	38	44	47.5	54	58	68	74.5	78.5	90	102	113	146
SP/THK	1.5	1.5	1.5	1.6	1.7	1.9	2.2	2.4	2.7	3.2	3.6	4.1

IF 241 RIDUZIONE M/F
ISO 4144

BUSHING M/F
ISO 4144



Size 1	1/4"	3/8"	1/2"			3/4"			1"			1 1/4"				
Size 2	1/8"	1/8"	1/4"	1/8"	1/4"	3/8"	1/8"	3/8"	1/2"	1/4"	3/8"	1/2"	3/4"	1/2"	3/4"	1"
S	14.5	18.5		22.5			28			35			44			
E	8	11.5		15			20.5			26			34.5			
L	10.5	11		14.5			15.5			18			20.5			
M	4	5		5			5.5			6			6.5			

Size 1	1 1/2"				2"				2 1/2"		3"			4"		
Size 2	1/2"	3/4"	1"	1 1/4"	1/2"	3/4"	1"	1 1/4"	1 1/2"	1 1/2"	2"	1 1/2"	2"	2 1/2"	2 1/2"	3"
S	49.5				61.5				77.5		90.5			116.5		
E	40				51				65.5		77.5			101.5		
L	20.5				25				27		30			36		
M	6.5				7				7		7.5			8		

* Dimensione non standard | Means the size is not standard

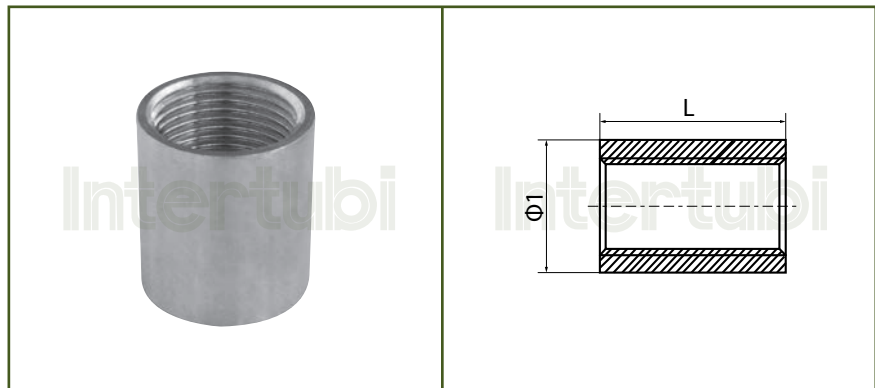
Forma | Shape:

1/8" - 1/2" Esagono - Hexagon

3/4" - 2" Ottagono - Octagon

2 1/2" - 4" Decagono - Decagon

**IF 270 MANICOTTO
IF 274 MANICOTTO**
EN 10241

COUPLING
EN 10241


Size mm	1/8"	1/4"	3/8"	1/2"	3/4"	1"	1 1/4"	1 1/2"	2"	2 1/2"	3"	4"
Ø 1	15	18,5	21,3	26,6	31,8	39,5	48,3	54,5	66,2	82	95	121
L	17	25	26	34	36	43	48	48	56	65	71	83

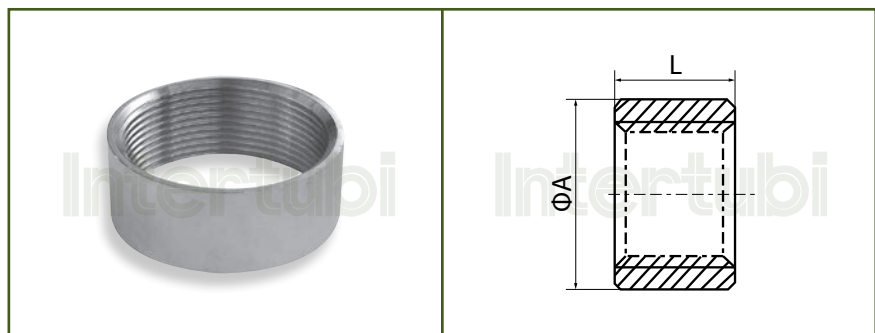
CARATTERISTICHE TECNICHE:

Esecuzione: microfusione
 Dimensioni: tipo EN 10241 (EX DIN 2986)
 Filettatura: conforme a EN 10226-1 (EX ISO 7-1)
 Acciaio: AISI 316/EN 1.4401, AISI 304/EN 1.4301
 Pressione d'esercizio: 150 Lbs
 Certificati EN 10204/2.1

TECHNICAL INFORMATION:

Execution: microcasting
 Dimensional standard: type EN 10241 (EX DIN 2986)
 Thread: according to EN 10226-1 (EX ISO 7-1)
 Steel: AISI 316/EN 1.4401, AISI 304/EN 1.4301
 Rate pressure: 150 Lbs
 Certificates EN 10204/2.1

IF 168 MEZZO MANICOTTO
EN 10241

HALF COUPLING
EN 10241


Size mm	1/8"	1/4"	3/8"	1/2"	3/4"	1"	1 1/4"	1 1/2"	2"	2 1/2"	3"	4"
Ø A	15	18,5	21,3	26,6	31,8	39,5	48,3	54,5	66,2	82	95	121
L	8	11	12	15	17	20	22	22	26	30	34	40

CARATTERISTICHE TECNICHE:

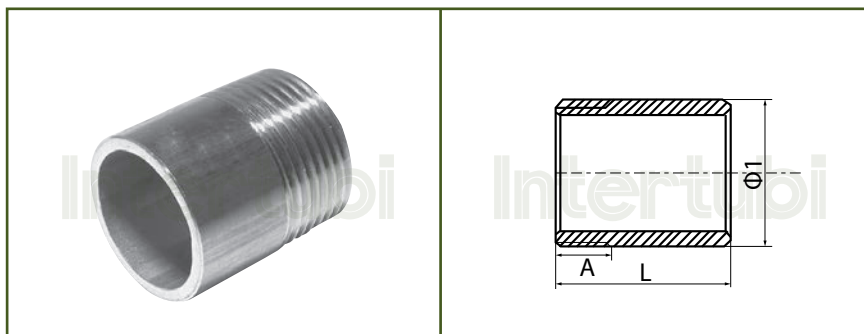
Esecuzione: microfusione
 Dimensioni: tipo EN 10241 (EX DIN 2986)
 Filettatura: conforme a EN 10226-1 (EX ISO 7-1)
 Acciaio: AISI 316/EN 1.4401
 Pressione d'esercizio: 150 Lbs
 Certificati EN 10204/2.1

TECHNICAL INFORMATION:

Execution: microcasting
 Dimensional standard type EN 10241 (EX DIN 2986)
 Thread: according to EN 10226-1 (EX ISO 7-1)
 Steel: AISI 316/EN 1.4401
 Rate pressure: 150 Lbs
 Certificates EN 10204/2.1

IF 600 TRONCHETTO
IF 604 TRONCHETTO
 EN 10241

WELDING NIPPLE
 EN 10241



Size mm	1/8"	1/4"	3/8"	1/2"	3/4"	1"	1 1/4"	1 1/2"	2"	2 1/2"	3"	4"
Ø 1	10	14	17,2	21,4	26,7	33,4	42,2	48,3	60,4	73,1	88,9	114,3
A	11	11	12	15	17	20	21	21	26	28	31	35
L	30	30	30	35	40	40	50	50	50	60	70	80
SP/THK	2,0	2,2	2,3	2,77	2,87	3,38	3,56	3,68	3,91	5,16	5,49	5,87

CARATTERISTICHE TECNICHE:

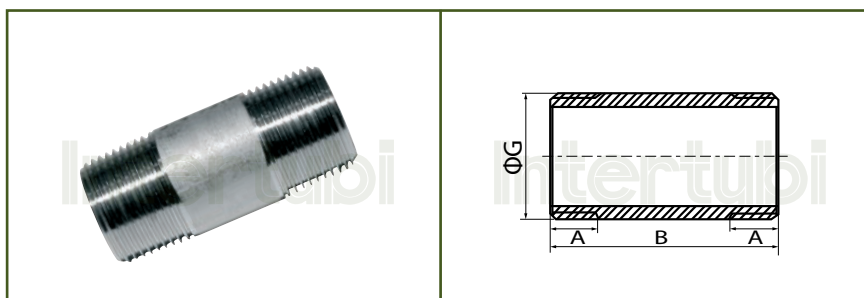
Ricavato da tubo saldato (SCH 40)
 Dimensioni e tolleranze EN 10241 (EX DIN 2982)
 Filettatura: conforme a EN 10226-1 (EX ISO 7-1)
 Acciaio: AISI 316/EN 1.4401, AISI 304/EN 1.4301
 Pressione d'esercizio: 150 Lbs-PN10
 Certificati EN 10204/2.1

TECHNICAL INFORMATION:

Made from pipes welded (SCH 40)
 Dimensions and tolerances type EN 10241 (EX DIN 2982)
 Thread: according to EN 10226-1 (EX ISO 7-1)
 Steel: AISI 316/EN 1.4401, AISI 304/EN 1.4301
 Rate pressure: 150 Lbs-PN10
 Certificates EN 10204/2.1

IF 530 BARILOTTO
 EN 10241

BARREL NIPPLE
 EN 10241



Size mm	1/8"	1/4"	3/8"	1/2"	3/4"	1"	1 1/4"	1 1/2"	2"	2 1/2"	3"	4"
G	10	14	17,2	21,4	26,7	33,4	42,2	48,3	60,4	73,1	88,9	114,3
A	11	11	12	15	17	20	21	21	26	28	31	35
B	40	40	40	60	60	60	80	80	100	100	120	150

CARATTERISTICHE TECNICHE:

Ricavato da tubo saldato (SCH 40)
 Dimensioni: tipo EN 10241 (EX DIN 2982)
 Filettatura: conforme a EN 10226-1 (EX ISO 7-1)
 Acciaio: AISI 316/EN 1.4401
 Pressione d'esercizio: 150 Lbs-PN10
 Certificati EN 10204/2.1

TECHNICAL INFORMATION:

Made from pipes welded (SCH 40)
 Dimensional standard: type EN 10241 (EX DIN 2982)
 Thread: according to EN 10226-1 (EX ISO 7-1)
 Steel: AISI 316/EN 1.4401
 Rate pressure: 150 Lbs-PN10
 Certificates EN 10204/2.1