



ACCIAIO INOX | STAINLESS STEEL

RACCORDI A SALDARE ASME B16.9
BUTT WELDING FITTINGS ASME B16.9

**DIMENSIONI E SPESSORI SECONDO ASME B 16.9 + B 36.10 E ASME B 36.19
RANGE OF SIZES AND WALL THICKNESS**

Ø nom. tubo pipe size	Diam. esterno Outside diam.		Sch. 5		Sch. 10		Sch. 20		Sch. 30		STD WT		Sch. 40		XS		Sch. 80		Sch. 100		Sch. 120		Sch. 140		Sch. 160		XXS		
	inch	mm	inch	mm	inch	mm	inch	mm	inch	mm	inch	mm	inch	mm	inch	mm	inch	mm	inch	mm	inch	mm	inch	mm	inch	mm	inch	mm	inch
1/2"	0.840	21,34	0.065	1,65	0.083	2,11	-	-	-	-	0.109	2,77	-	-	0.147	3,73	-	-	-	-	-	-	-	-	0.187	4,75	0.294	7,47	
3/4"	1.050	26,67	0.065	1,65	0.083	2,11	-	-	-	-	0.113	2,87	-	-	0.154	3,91	-	-	-	-	-	-	-	-	0.218	5,54	0.308	7,82	
1"	1.315	33,40	0.065	1,65	0.109	2,77	-	-	-	-	0.133	3,38	-	-	0.179	4,55	-	-	-	-	-	-	-	-	0.250	6,35	0.358	9,09	
1 1/4"	1.660	42,16	0.065	1,65	0.109	2,77	-	-	-	-	0.140	3,56	-	-	0.191	4,85	-	-	-	-	-	-	-	-	0.250	6,35	0.382	9,70	
1 1/2"	1.900	48,26	0.065	1,65	0.109	2,77	-	-	-	-	0.145	3,68	-	-	0.200	5,08	-	-	-	-	-	-	-	-	0.281	7,14	0.400	10,16	
2"	2.375	60,33	0.065	1,65	0.109	2,77	-	-	-	-	0.154	3,91	-	-	0.218	5,54	-	-	-	-	-	-	-	-	0.343	8,71	0.436	11,07	
2 1/2"	2.875	73,03	0.083	2,11	0.120	3,05	-	-	-	-	0.203	5,16	-	-	0.276	7,01	-	-	-	-	-	-	-	-	0.375	9,53	0.552	14,02	
3"	3.500	88,90	0.083	2,11	0.120	3,05	-	3,96	-	-	0.216	5,49	-	-	0.300	7,62	-	-	-	-	-	-	-	-	0.438	11,13	0.600	15,24	
3 1/2"	4.000	101,60	0.083	2,11	0.120	3,05	-	3,96	-	-	0.226	5,74	-	-	0.318	8,08	-	-	-	-	-	-	-	-	-	-	0.636	16,15	
4"	4.500	114,30	0.083	2,11	0.120	3,05	-	4,37	-	-	0.237	6,02	-	-	0.337	8,56	-	-	-	-	-	0.438	11,13	-	0.531	13,49	0.674	17,12	
5"	5.563	141,30	0.109	2,77	0.134	3,40	-	-	-	-	0.258	6,55	-	-	0.375	9,53	-	-	-	-	-	0.500	12,70	-	0.625	15,88	0.750	19,05	
6"	6.625	168,28	0.109	2,77	0.134	3,40	-	4,78	-	-	0.280	7,11	-	-	0.432	10,97	-	-	-	-	-	0.562	14,27	-	0.718	18,24	0.864	21,95	
8"	8.625	219,08	0.109	2,77	0.148	3,76	0.250	6,35	0.277	7,04	0.322	8,18	-	-	0.500	12,70	0.406	10,31	0.593	15,06	0.718	18,24	0.812	20,62	0.906	23,01	0.875	22,23	
10"	10.750	273,05	0.134	3,40	0.165	4,19	0.250	6,35	0.307	7,80	0.365	9,27	-	-	0.500	12,70	0.593	15,06	0.718	18,24	0.843	21,41	1.000	25,40	1.125	28,58	-	-	
12"	12.750	323,85	0.165	4,19	0.180	4,57	0.250	6,35	0.330	8,38	0.375	9,53	0.406	10,31	0.500	12,70	0.687	17,45	0.843	21,41	1.000	25,40	1.125	28,58	1.312	33,32	-	-	
14"	14.000	355,60	-	-	0.250	6,35	0.312	7,92	0.375	9,53	0.375	9,53	0.438	11,13	0.500	12,70	0.750	19,05	0.937	23,80	1.093	27,76	1.250	31,75	1.406	35,71	-	-	
16"	16.000	406,40	-	-	0.250	6,35	0.312	7,92	0.375	9,53	0.375	9,53	0.500	12,70	0.656	16,66	0.500	12,70	0.843	21,41	1.031	26,19	1.218	30,94	1.593	40,46	-	-	
18"	18.000	457,20	-	-	0.250	6,35	0.312	7,92	0.438	11,13	0.375	9,53	0.562	14,27	0.750	19,05	0.937	23,80	1.156	29,36	1.375	34,93	1.562	39,67	1.781	45,24	-	-	
20"	20.000	508,00	-	-	0.250	6,35	0.375	9,53	0.500	12,70	0.375	9,53	0.593	15,06	0.812	20,62	0.500	12,70	1.281	32,54	1.500	38,10	1.750	44,45	1.968	49,99	-	-	
22"	22.000	558,80	-	-	0.250	6,35	0.375	9,53	0.500	12,70	0.375	9,53	-	-	0.875	22,22	0.500	12,70	1.375	34,92	1.525	41,27	1.875	47,62	2.125	53,97	-	-	
24"	24.000	609,60	-	-	0.250	6,35	0.375	9,53	0.562	14,27	0.375	9,53	0.687	17,45	0.968	24,59	0.500	12,70	1.218	30,94	1.531	38,89	1.812	46,02	2.062	52,37	2.343	59,51	
26"	26.000	660,40	-	-	0.312	7,92	0.500	12,70	-	-	0.375	9,53	-	-	0.500	12,70	-	-	-	-	-	-	-	-	-	-	-	-	
28"	28.000	711,20	-	-	0.312	7,92	0.500	12,70	0.625	15,87	0.375	9,53	-	-	0.500	12,70	-	-	-	-	-	-	-	-	-	-	-	-	
30"	30.000	762,0	-	-	0.312	7,92	0.500	12,70	0.625	15,87	0.375	9,53	-	-	0.500	12,70	-	-	-	-	-	-	-	-	-	-	-	-	
32"	32.000	812,80	-	-	0.312	7,92	0.500	12,70	0.625	15,87	0.375	9,53	0.688	17,47	0.500	12,70	-	-	-	-	-	-	-	-	-	-	-	-	

Identical to "Standard"

Identical to "Extra Strong"

INFORMAZIONI GENERALI
GENERAL INFORMATION

I raccordi a saldare ASME B16.9 sono forniti in accordo alle seguenti norme:

Intertubi's butt welding fittings are provided in according to the following standards:

Norma di raccordo <i>Fitting standard</i>	Norma <i>Standard</i>	Descrizione <i>Description</i>	Grado di acciaio <i>Steel grade</i>	Tipologia di raccordi / <i>Fittings types</i>
ASME B16.9	ASTM/ASME A/SA 403	Specifiche standard di raccordi di tubazione in acciaio inox austenitici <i>Standard specification for piping fittings of stainless steel austenitic</i>	WP304/304L WP316/316L	Curve / Elbows Long / Short Radius Riduzioni concentriche ed eccentriche / <i>Concentric and eccentric reducers</i> Tee con derivazione uguale e ridotta / <i>Equal reducing tee</i> Fondi / <i>Caps</i> Stub - Ends Short Length

I raccordi vengono forniti con estremità smussate secondo ASME B16.25.

Fittings are supplied with beveled ends according to ASME B16.25.



Le tabelle riportate in seguito permettono un confronto tra i differenti gradi di acciaio secondo la composizione chimica e le proprietà meccaniche:

Tables shown below allow a comparison between the different steel grades according to the chemical composition and mechanical properties:

Grado / Grade		Composizione / Composition %						
Grade WP	C	Mn	P	S	Si	Ni	Cr	Mo
WP304	0.08	2.00	0.045	0.030	1.00	8.0 - 11.0	18.0 - 20.0	
WP304L	0.030	2.00	0.045	0.030	1.00	8.0 - 12.0	18.0 - 20.0	
WP316	0.08	2.00	0.045	0.030	1.00	10.0 - 14.0	16.0 - 18.0	2.00 - 3.00
WP316L	0.030	2.00	0.045	0.030	1.00	10.0 - 14.0	16.0 - 18.0	2.00 - 3.00

NOTA 1 - Tutti i requisiti sono al massimo se non diversamente indicato.

NOTA 2 - Dove i puntini di sospensione (...) appare in questa tabella, non vi è alcun obbligo.

NOTA 1 - All requirements are maximum unless otherwise indicated.

NOTA 2 - Where an ellipsis (...) appears in this table, there is no requirement.

^A Quando raccordi sono di costruzione saldata, il simbolo di grado e la marcatura sopra indicato deve essere completata con la lettera "W".

^B Raccordi prodotti da barra o piastra può avere carbonio max 0,35.

^C Raccordi a base di forgiati può avere carbonio max 0,35 e 0,35 silicio max sempre minimo.

^D Per ogni riduzione dello 0,01% al di sotto del massimo di carbonio specificato, con un incremento del 0,06% manganese al di sopra del massimo specificato sarà consentito, fino ad un massimo di 1,35%.

^E La somma di rame, nichel, cromo, molibdeno e non supera 1,00%.

^F La somma di cromo e molibdeno non supera 0,32%.

^A When fittings are of welded construction, the grade and marking symbol shown above shall be supplemented by the letter "W".

^B Fittings made from bar or plate may have 0.35 max carbon.

^C Fittings made from forgings may have 0,35 max carbon and 0,35 max silicon with no minimum.

^D For each reduction of 0,01% below the specified carbon maximum, an increase of 0,06% manganese above the specified maximum will be permitted, up to a maximum of 1,35%.

^E The sum of Copper, Nickel, chromium, and Molybdenum shall not exceed 1,00%.

^F The sum of Chromium and Molybdenum shall not exceed 0,32%.

Grado di acciaio Steel grade	Snervamento Yield Strength min. ksi [MPa]	Rottura Tensile Strength min. ksi [MPa]
304, 316	30 [205]	75 [515]
304L, 316L	20 [170]	70 [485]

**LE TOLLERANZE ASME B16.9 SONO RIEPILOGATE NELLE SEGUENTI TABELLE:
TOLERANCES ASME B16.9 ARE SUMMARIZED IN THE FOLLOWING TABLES:**

Tutti i raccordi [Note (1) e (2)] All Fittings [Notes (1) and (2)]				Dimensioni dal centro all'estremità Center-to-End dimensions				Spessore Thickness
Diametro nominale del tubo (NPS) Nominal Pipe Size (NPS)	DN	Diametro esterno allo smusso Outside Diameter at Bevel D*1	Diametro interno all'estremità Inside Diameter at End*2	90° e 45° curve long e short radius e tee 90-deg and 45-deg long and short radius Elbows and tees A, B, C, M	Curve raggio 3D 3D Radius Elbows A, B	Lunghezza generale delle riduzioni e delle cartelle Overall Length of reducers and lap joint stub ends F, H	Lunghezza generale dei fondi Overall length of caps E	Alle estremità At the ends
1/2 to 2 1/2	15-65	+1.6, -0.8	0.8	2	3	2	3	-12,5%
3 to 3 1/2	80-90	1.6	1.6	2	3	2	3	
4	100	1.6	1.6	2	3	2	3	
5 to 8	125-200	+2.4, -1.6	1.6	2	3	2	6	
10 to 18	250-450	+4.0, -3.2	3.2	2	3	2	6	
20 to 24	500-600	+6.4, -4.8	4.8	2	3	2	6	
26 to 30	650-750	+6.4, -4.8	4.8	3	6	5	10	
32 to 48	800-1200	+6.4, -4.8	4.8	5	6	5	10	

NOTE GENERALI / GENERAL NOTES

- (a) Tutte le dimensioni sono in millimetri / (a) All dimensions are in millimeters
(b) Le tolleranze sono uguali più o meno eccetto le note / (b) Tolerances are equal plus and minus except as noted

NOTES

- (1) Il diametro interno e nominale della parete dello spessore alle estremità deve essere specificato dall'acquirente
(1) The inside diameter and the nominal wall thickness at ends are to be specified by the purchaser
- (2) Il minimo spessore della parete del 87,5% è applicato a meno che l'acquirente specifichi una differente tolleranza della parete dello spessore
(2) A minimum wall thickness of 87.5% is applied unless the purchaser specifies a different wall thickness tolerance
- (3) L'ovalità è la somma dei valori assoluti delle tolleranze minime e massime
(3) Out-of-round is the sum of absolute values of plus and minus tolerances
- (4) Questa tolleranza non può essere applicata ad aree localizzate dei raccordi formati dove è necessario un aumento per soddisfare i requisiti di progetto
(4) This tolerance may not be applied in localized areas of fittings formed where increased wall thickness is required to meet design requirements
- (5) Se non diversamente specificato dall'acquirente queste tolleranze applicate al diametro interno nominale, corrispondono alla differenza tra il diametro esterno nominale e il doppio spessore della parete nominale
(5) Unless otherwise specified by the purchaser, these tolerances applied to the nominal inside diameter, correspond to the difference between the nominal outside diameter and twice the nominal wall thickness

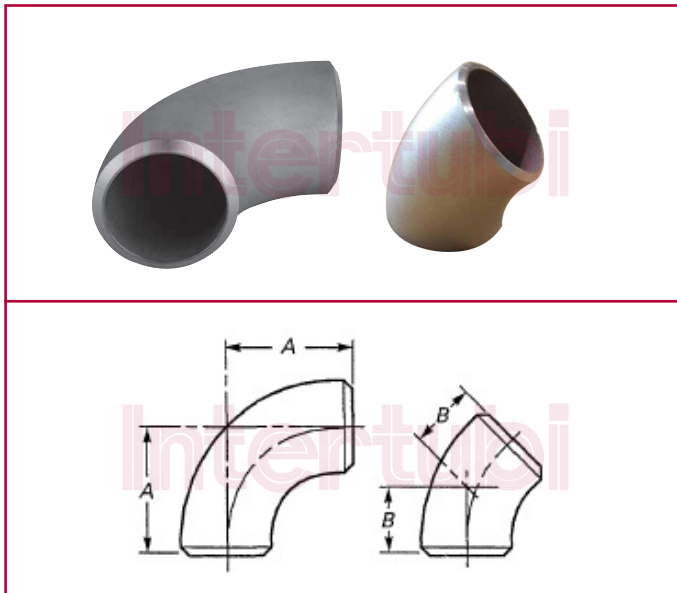
*1 (NOTES 3 AND 4) *2 (NOTES 3 AND 5)

CARATTERISTICHE TECNICHE

Ricavate da tubo senza saldatura o saldato.
Norme dimensionali e tolleranze: ASME B16.9 / B16.25
MARCATURA: in accordo ASTM/ASME B16.9 e MSS SP-25
Certificati: EN 10204/3.1

TECHNICAL INFORMATION

Made from seamless pipe or welded.
Dimensional standard and tolerances: ASME B16.9 / B16.25
MARKING: according to ASTM/ASME B16.9 and MSS SP-25
CertificatEs: EN 10204/3.1


CURVE SENZA SALDATURA 90°
**RAGGIO= 1,5 D DIMA 3
(45° SU RICHIESTA)**

 ASME B16.9 ASTM A 403
 WP 304/304L E WP 316/316L

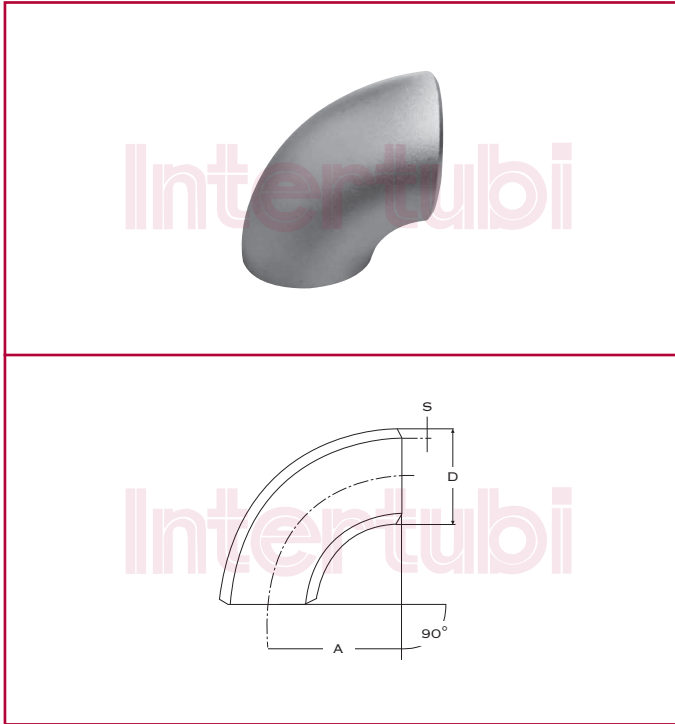
**SEAMLESS LONG RADIUS ELBOWS 90°
DIMA 3**
(45° ON REQUEST)

 ASME B16.9 ASTM A 403
 WP 304/304L AND WP 316/316L

Su richiesta saldate | Welded on request

D.E. POLLICI D.E. INCHES	Ø EST. MM X SPESS. MM OUTS. DIAM. MM X THICKN MM	SCH	CURVE / ELBOWS		PESO KG/PZ. WEIGHT KG/PCS.
			90° A	45° B	
1/2"	21.34 x 2.11	10S	38	16	0.06
	21.34 x 2.77	40S			0.08
	21.34 x 3.73	80S			0.10
	21.34 x 4.78	160			0.15
3/4"	26.67 x 2.11	10S	38	19	0.07
	26.67 x 2.87	40S			0.09
	26.67 x 3.91	80S			0.11
	26.67 x 5.56	160			0.23
1"	33.40 x 2.77	10S	38	22	0.14
	33.40 x 3.38	40S			0.16
	33.40 x 4.55	80S			0.22
	33.40 x 6.35	160			0.25
1 1/4"	42.16 x 2.77	10S	48	25	0.23
	42.16 x 3.56	40S			0.25
	42.16 x 4.85	80S			0.40
	42.16 x 6.35	160			0.42
1 1/2"	48.26 x 2.77	10S	57	29	0.30
	48.26 x 3.68	40S			0.40
	48.26 x 5.08	80S			0.51
	48.26 x 7.14	160			0.65
2"	60.33 x 2.77	10S	76	35	0.51
	60.33 x 3.91	40S			0.71
	60.33 x 5.54	80S			0.91
	60.33 x 8.71	160			1.33
2 1/2"	73.03 x 3.05	10S	95	44	0.85
	73.03 x 5.16	40S			1.36
	73.03 x 7.01	80S			1.81
	73.03 x 9.53	160			2.33
3"	88.90 x 3.05	10S	114	51	1.22
	88.90 x 5.49	40S			2.18

D.E. POLLICI D.E. INCHES	Ø EST. MM X SPESS. MM OUTS. DIAM. MM X THICKN MM	SCH	CURVE / ELBOWS		PESO KG/PZ. WEIGHT KG/PCS.
			90° A	45° B	
3"	88.90 x 7.62	80S	114	51	2.98
	88.90 x 11.13	160			3.83
	88.90 x 11.13	160			3.83
4"	114.30 x 3.05	10S	152	64	2.15
	114.30 x 6.02	40S			4.17
	114.30 x 8.56	80S			6.18
	114.30 x 13.49	160			8.02
5"	141.30 x 3.40	10S	190	79	3.63
	141.30 x 6.55	40S			6.86
	141.30 x 9.53	80S			9.58
6"	168.28 x 3.40	10S	229	95	4.90
	168.28 x 7.11	40S			10.90
	168.28 x 10.97	80S			16.33
8"	219.08 x 3.76	10S	305	127	10.66
	219.08 x 8.18	40S			21.50
	219.08 x 12.70	80S			33.11
10"	273.05 x 4.19	10S	381	159	19.50
	273.05 x 9.27	40S			38.60
12"	323.85 x 4.57	10S	457	190	27.22
	323.85 x 9.53	40S			59.40
14"	355.60 x 4.78	10S	533	222	36.30
	355.60 x 9.53	40S			70.30
16"	406.40 x 4.78	10S	610	254	47.63
	406.40 x 9.53	40S			91.60
18"	457.20 x 4.78	10S	686	286	59.87
	457.20 x 9.53	40S			113.00
20"	508.00 x 5.54	10S	762	318	99.79
	508.00 x 9.52	40S			140.00
24"	609.60 x 6.35	10S	914	381	140.61
	609.60 x 9.52	40S			207.80



CURVE SENZA SALDATURA 90°

RAGGIO= 1 D DIMA 2

ASME B16.9 ASTM A 403

WP 304/304L E WP 316/316L

SEAMLESS SHORT RADIUS

ELBOWS 90° DIMA 2

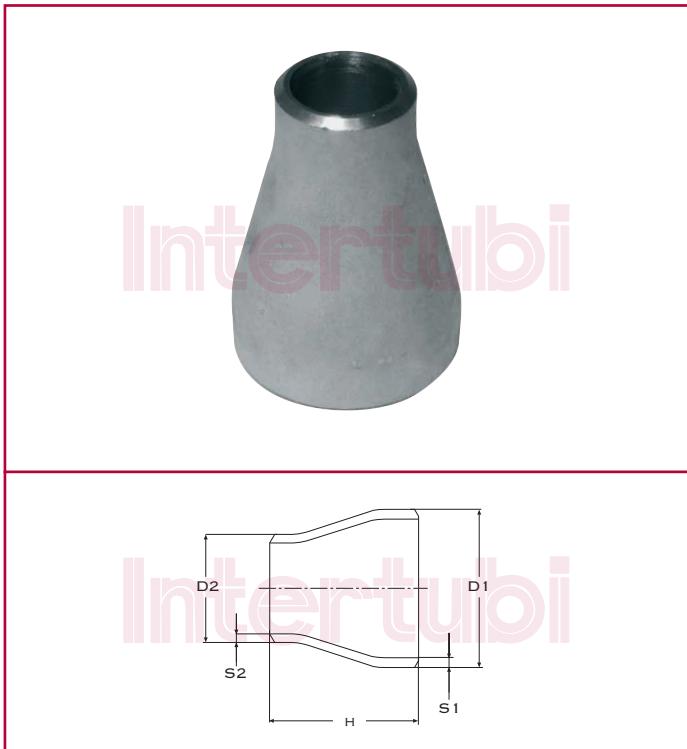
ASME B16.9 ASTM A 403

WP 304/304L AND WP 316/316L

Su richiesta saldate | Welded on request

D.E. POLLICI D.E. INCHES	Ø EST. MM X SPESS. MM OUTS. DIAM. MM X THCKN MM	SCH	A	PESO KG/PZ. WEIGHT KG/PCS.
1"	33.40 x 2.77	10S	25	0.10
	33.40 x 3.38	40S		0.12
	33.40 x 4.55	80S		0.13
1 1/4"	42.16 x 3.56	40S	32	0.20
	42.16 x 4.85	80S		0.22
1 1/2"	48.26 x 2.77	10S	38	0.22
	48.26 x 3.68	40S		0.29
	48.26 x 5.08	80S		0.32
2"	60.33 x 2.77	10S	51	0.37
	60.33 x 3.91	40S		0.51
	60.33 x 5.54	80S		0.60
2 1/2"	73.03 x 3.05	10S	64	0.62
	73.03 x 5.16	40S		1.02
	73.03 x 7.01	80S		1.14
3"	88.90 x 3.05	10S	76	0.98
	88.90 x 5.49	40S		1.50
	88.90 x 7.62	80S		1.85
4"	114.30 x 3.05	10S	102	1.72
	114.30 x 6.02	40S		3.12
	114.30 x 8.56	80S		3.56

D.E. POLLICI D.E. INCHES	Ø EST. MM X SPESS. MM OUTS. DIAM. MM X THCKN MM	SCH	A	PESO KG/PZ. WEIGHT KG/PCS.
5"	141.30 x 3.40	10S	127	2.78
	141.30 x 6.55	40S		5.28
6"	168.28 x 3.40	10S	152	4.15
	168.28 x 7.11	40S		7.15
	168.28 x 10.97	80S		11.79
8"	219.08 x 3.76	10S	203	8.00
	219.08 x 8.18	40S		17.05
10"	273.05 x 4.19	10S	254	12.40
	273.05 x 9.27	40S		24.00
12"	323.85 x 4.57	10S	305	17.20
	323.85 x 9.53	40S		38.10
14"	355.60 x 4.78	10S	356	23.59
	355.60 x 9.78	40S		45.40
16"	406.40 x 4.78	10S	406	30.84
	406.40 x 9.53	40S		59.40
18"	457.20 x 4.78	10S	457	39.50
20"	508.00 x 5.54	10S	508	65.00
24"	609.60 x 6.35	10S	610	92.00


**RIDUZIONI CONCENTRICHE
SENZA SALDATURA
(SU RICHIESTA SCH160)**

 ASME B16.9 ASTM A 403
WP 304/304L E WP 316/316L

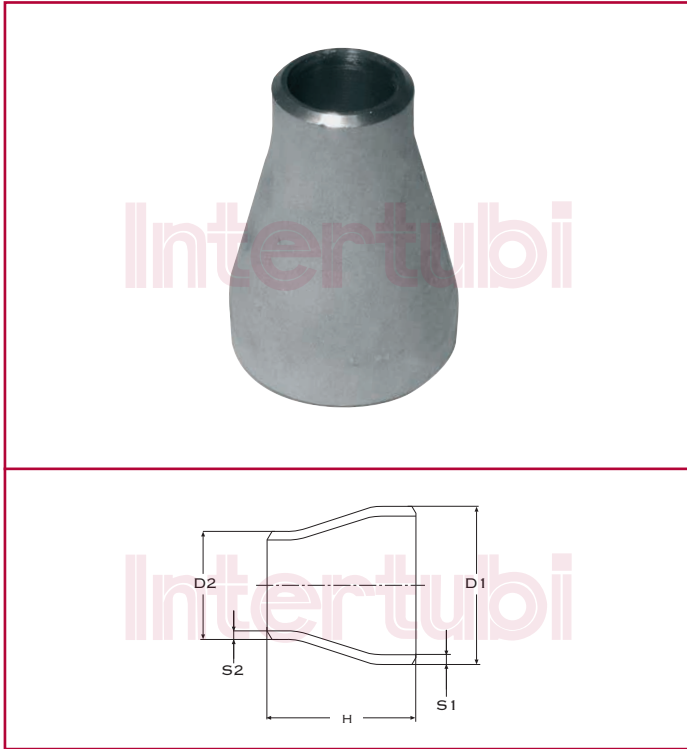
**SEAMLESS CONCENTRIC REDUCERS
(SCH160 ON REQUEST)**

 ASME B16.9 ASTM A 403
WP 304/304L AND WP 316/316L

Su richiesta saldate | Welded on request

D.E. POLLICI D.E. INCHES	Ø EST. X Ø EST. OUTS. Ø X OUTS. Ø	SP. X SP. MM THCK. X THCK. MM	SCH	H	PESO KG/PZ. WEIGHT KG/PCS.
3/4" x 1/2"	26.67 x 21.33	2.11 x 2.11	10S	38	0.10
	26.67 x 21.33	2.87 x 2.77	40S		0.14
	26.67 x 21.33	3.91 x 3.73	80S		0.18
1" x 1/2"	33.40 x 21.33	2.77 x 2.11	10S	51	0.12
	33.40 x 21.33	3.38 x 2.77	40S		0.15
	33.40 x 21.33	4.55 x 3.73	80S		0.20
1" x 3/4"	33.40 x 26.67	2.77 x 2.11	10S	51	0.13
	33.40 x 26.67	3.38 x 2.87	40S		0.16
	33.40 x 26.67	4.55 x 3.91	80S		0.22
1 1/4" x 3/4"	42.16 x 26.67	2.77 x 2.11	10S	51	0.18
	42.16 x 26.67	3.56 x 2.87	40S		0.22
	42.16 x 26.67	4.85 x 3.91	80S		0.25
1 1/4" x 1"	42.16 x 33.40	2.77 x 2.77	10S	51	0.18
	42.16 x 33.40	3.56 x 3.38	40S		0.22
	42.16 x 33.40	4.85 x 4.55	80S		0.27
1 1/2" x 3/4"	48.26 x 26.67	2.77 x 2.11	10S	64	0.20
	48.26 x 26.67	3.68 x 2.87	40S		0.26
	48.26 x 26.67	5.08 x 3.91	80S		0.37
1 1/2" x 1"	48.26 x 33.40	2.77 x 2.77	10S	64	0.20
	48.26 x 33.40	3.68 x 3.38	40S		0.26
	48.26 x 33.40	5.08 x 4.55	80S		0.37
1 1/2" x 1 1/4"	48.26 x 42.16	2.77 x 2.77	10S	64	0.21
	48.26 x 42.16	3.68 x 3.56	40S		0.28
	48.26 x 42.16	5.08 x 4.85	80S		0.36

D.E. POLLICI D.E. INCHES	Ø EST. X Ø EST. OUTS. Ø X OUTS. Ø	SP. X SP. MM THCK. X THCK. MM	SCH	H	PESO KG/PZ. WEIGHT KG/PCS.
2" x 3/4"	60.33 x 26.67	2.77 x 2.11	10S	76	0.25
	60.33 x 26.67	3.91 x 2.87	40S		0.37
	60.33 x 26.67	5.54 x 3.91	80S		0.41
2" x 1"	60.33 x 33.40	2.77 x 2.77	10S	76	0.28
	60.33 x 33.40	3.91 x 3.38	40S		0.40
	60.33 x 33.40	5.54 x 4.55	80S		0.54
2" x 1 1/4"	60.33 x 42.16	2.77 x 2.77	10S	76	0.30
	60.33 x 42.16	3.91 x 3.56	40S		0.44
	60.33 x 42.16	5.54 x 4.85	80S		0.48
2" x 1 1/2"	60.33 x 48.26	2.77 x 2.77	10S	76	0.31
	60.33 x 48.26	3.91 x 3.68	40S		0.45
	60.33 x 48.26	5.54 x 5.08	80S		0.59
2 1/2" x 1 1/4"	73.03 x 42.16	3.05 x 2.77	10S	89	0.37
	73.03 x 42.16	5.16 x 3.56	40S		0.63
	73.03 x 42.16	7.01 x 4.85	80S		0.78
2 1/2" x 1 1/2"	73.03 x 48.30	3.05 x 2.77	10S	89	0.44
	73.03 x 48.30	5.16 x 3.68	40S		0.77
	73.03 x 48.30	7.01 x 5.08	80S		0.83
2 1/2" x 2"	73.03 x 60.30	3.05 x 2.77	10S	89	0.47
	73.03 x 60.30	5.16 x 3.91	40S		0.80
	73.03 x 60.30	7.01 x 5.54	80S		1.03
3" x 1"	88.90 x 33.40	3.05 x 2.77	10S	89	0.49
	88.90 x 33.40	5.49 x 3.38	40S		0.85
	88.90 x 33.40	7.62 x 4.55	80S		0.97
3" x 1 1/4"	88.90 x 42.16	3.05 x 2.77	10S	89	0.43
	88.90 x 42.16	5.49 x 3.56	40S		0.75
	88.90 x 42.16	7.62 x 4.85	80S		0.95
3" x 1 1/2"	88.90 x 48.26	3.05 x 2.77	10S	89	0.51
	88.90 x 48.26	5.49 x 3.68	40S		0.94
	88.90 x 48.26	7.62 x 5.08	80S		1.21



**RIDUZIONI CONCENTRICHE
SENZA SALDATURA
(SU RICHIESTA SCH160)**

ASME B16.9 ASTM A 403
WP 304/304L E WP 316/316L

**SEAMLESS CONCENTRIC REDUCERS
(SCH160 ON REQUEST)**

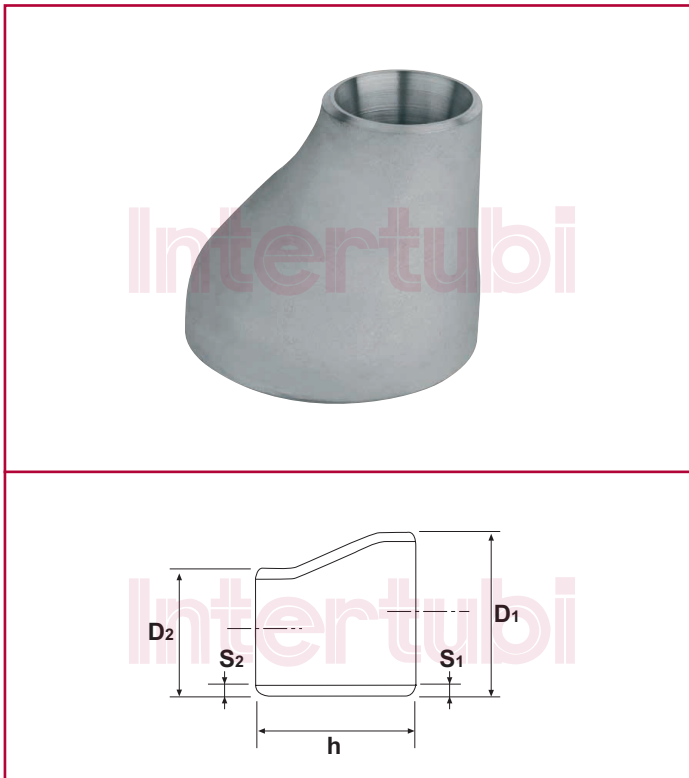
ASME B16.9 ASTM A 403
WP 304/304L AND WP 316/316L

Su richiesta saldate | Welded on request

D.E. POLLICI D.E. INCHES	Ø EST. X Ø EST. OUTS. Ø X OUTS. Ø	SP. X SP. MM THCK. X THCK. MM	SCH	H	PESO KG/PZ. WEIGHT KG/PCS.	
3" x 2"	88.90 x 60.30	3.05 x 2.77	10S	89	0.55	
	88.90 x 60.30	5.49 x 3.91	40S		1.00	
	88.90 x 60.30	7.62 x 5.54	80S		1.29	
3" x 2 1/2"	88.90 x 73.03	3.05 x 3.05	10S		0.59	
	88.90 x 73.03	5.49 x 5.16	40S		1.08	
	88.90 x 73.03	7.62 x 7.01	80S		1.49	
4" x 1 1/2"	114.30 x 48.26	3.05 x 2.77	10S		102	0.62
	114.30 x 48.26	6.02 x 3.68	40S			1.18
	114.30 x 48.26	8.56 x 5.08	80S			1.64
4" x 2"	114.30 x 60.30	3.05 x 2.77	10S	0.78		
	114.30 x 60.30	6.02 x 3.91	40S	1.57		
	114.30 x 60.30	8.56 x 5.54	80S	1.95		
4" x 2 1/2"	114.30 x 73.03	3.05 x 3.05	10S	0.83		
	114.30 x 73.03	6.02 x 5.16	40S	1.66		
	114.30 x 73.03	8.56 x 7.01	80S	1.97		
4" x 3"	114.30 x 88.90	3.05 x 3.05	10S	0.87		
	114.30 x 88.90	6.02 x 5.49	40S	1.74		
	114.30 x 88.90	8.56 x 7.62	80S	2.33		
5" x 3"	141.30 x 88.90	3.40 x 3.05	10S	127		1.45
	141.30 x 88.90	6.55 x 5.49	40S			2.85
5" x 4"	141.30 x 114.30	3.40 x 3.05	10S			1.49
	141.30 x 114.30	6.55 x 6.02	40S		2.98	

D.E. POLLICI D.E. INCHES	Ø EST. X Ø EST. OUTS. Ø X OUTS. Ø	SP. X SP. MM THCK. X THCK. MM	SCH	H	PESO KG/PZ. WEIGHT KG/PCS.
6" x 3"	168.28 x 88.9	3.40 x 3.05	10S	140	1.82
	168.28 x 88.9	7.11 x 5.49	40S		3.98
	168.28 x 88.9	10.97 x 8.56	80S		5.51
6" x 4"	168.28 x 114.30	3.40 x 3.05	10S		1.95
	168.28 x 114.30	7.11 x 6.02	40S		4.08
	168.28 x 114.30	10.97 x 8.56	80S		5.96
6" x 5"	168.28 x 141.30	3.40 x 3.40	10S		2.05
	168.28 x 141.30	8.18 x 7.11	40S		4.18
8" x 4"	219.08 x 114.30	3.76 x 3.05	10S		152
	219.08 x 114.30	8.18 x 6.02	40S	6.55	
8" x 5"	219.08 x 141.30	3.76 x 3.40	10S	3.08	
	219.08 x 141.30	8.18 x 6.55	40S	6.70	
8" x 6"	219.08 x 168.30	3.76 x 3.40	10S	3.19	
	219.08 x 168.30	8.18 x 7.11	40S	6.94	
10" x 6"	273.05 x 168.28	4.19 x 3.40	10S	178	5.00
	273.05 x 168.28	9.27 x 7.11	40S		11.12
10" x 8"	273.05 x 219.08	4.19 x 3.76	10S		5.25
	273.05 x 219.08	9.27 x 8.18	40S	11.56	
12" x 6"	323.85 x 168.28	4.57 x 3.40	10S	203	6.58
	323.85 x 168.28	9.53 x 7.11	40S		12.80
12" x 8"	323.85 x 219.08	4.57 x 3.76	10S		7.67
	323.85 x 219.08	9.53 x 8.18	40S		15.98
12" x 10"	323.85 x 273.05	4.57 x 4.19	10S		7.98
	323.85 x 273.05	9.53 x 9.27	40S		16.63
14" x 10"	355.60 x 273.05	4.78 x 4.19	10S	330	14.41
	355.60 x 273.05	9.53 x 9.27	40S		23.60
14" x 12"	355.60 x 323.85	4.78 x 4.57	10S		15.29
	355.60 x 323.85	9.53 x 9.53	40S	25.40	
16" x 12"	406.40 x 323.85	4.78 x 4.57	10S	356	18.35
	406.40 x 323.85	9.53 x 9.53	40S		29.60
16" x 14"	406.40 x 355.60	4.78 x 4.78	10S		18.90
	406.40 x 355.60	9.53 x 9.53	40S		31.00

Nota: i dati tecnici su questo catalogo sono indicativi e non impegnativi / Note: the technical data reported in this catalogue is proximate and not binding.
Data di emissione: 2020 Revisione: 01 / Date of issue: 2020 Revision: 01 - Copyright © Intertubi S.p.a. Tutti i diritti riservati / Copyright © Intertubi S.p.a. All rights reserved


**RIDUZIONI ECCENTRICHE
SENZA SALDATURA
(SU RICHIESTA SCH160)**

 ASME B16.9 ASTM A 403
WP 304/304L E WP 316/316L

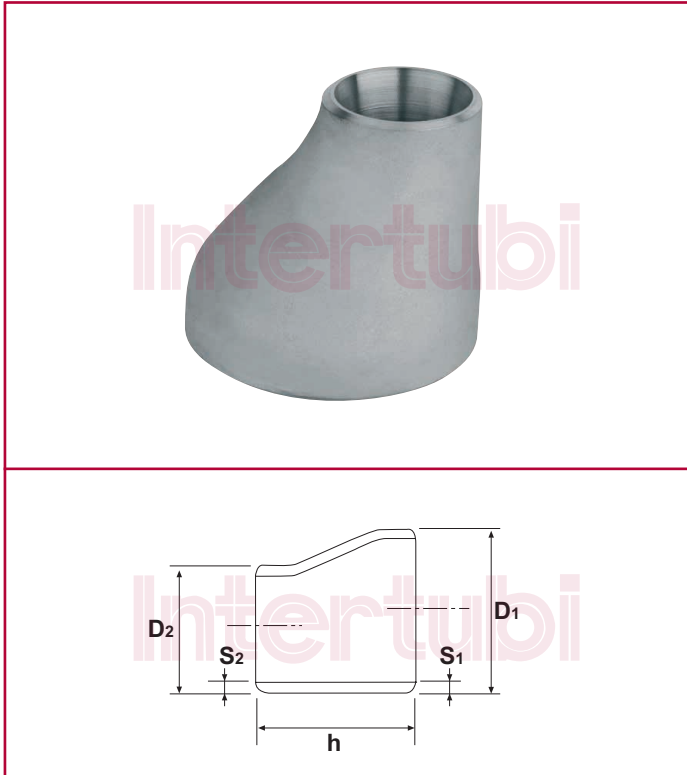
**SEAMLESS ECCENTRIC REDUCERS
(SCH160 ON REQUEST)**

 ASME B16.9 ASTM A 403
WP 304/304L AND WP 316/316L

Su richiesta saldate | Welded on request

D.E. POLLICI D.E. INCHES	Ø EST. X Ø EST. OUTS. Ø X OUTS. Ø	SP. X SP. MM THCK. X THCK. MM	SCH	H	PESO KG/PZ. WEIGHT KG/PCS.
3/4" x 1/2"	26.67 x 21.33	2.11 x 2.11	10S	38	0.10
	26.67 x 21.33	2.87 x 2.77	40S		0.14
	26.67 x 21.33	3.91 x 3.73	80S		0.18
1" x 1/2"	33.40 x 21.33	2.77 x 2.11	10S	51	0.12
	33.40 x 21.33	3.38 x 2.77	40S		0.15
	33.40 x 21.33	4.55 x 3.73	80S		0.20
1" x 3/4"	33.40 x 26.67	2.77 x 2.11	10S	51	0.13
	33.40 x 26.67	3.38 x 2.87	40S		0.16
	33.40 x 26.67	4.55 x 3.91	80S		0.22
1 1/4" x 3/4"	42.16 x 26.67	2.77 x 2.11	10S	51	0.18
	42.16 x 26.67	3.56 x 2.87	40S		0.22
	42.16 x 26.67	4.85 x 3.91	80S		0.25
1 1/4" x 1"	42.16 x 33.40	2.77 x 2.77	10S	51	0.18
	42.16 x 33.40	3.56 x 3.38	40S		0.22
	42.16 x 33.40	4.85 x 4.55	80S		0.27
1 1/2" x 3/4"	48.26 x 26.67	2.77 x 2.11	10S	64	0.20
	48.26 x 26.67	3.68 x 2.87	40S		0.26
	48.26 x 26.67	5.08 x 3.91	80S		0.37
1 1/2" x 1"	48.26 x 33.40	2.77 x 2.77	10S	64	0.20
	48.26 x 33.40	3.68 x 3.38	40S		0.26
	48.26 x 33.40	5.08 x 4.55	80S		0.37
1 1/2" x 1 1/4"	48.26 x 42.16	2.77 x 2.77	10S	64	0.21
	48.26 x 42.16	3.68 x 3.56	40S		0.28
	48.26 x 42.16	5.08 x 4.85	80S		0.36

D.E. POLLICI D.E. INCHES	Ø EST. X Ø EST. OUTS. Ø X OUTS. Ø	SP. X SP. MM THCK. X THCK. MM	SCH	H	PESO KG/PZ. WEIGHT KG/PCS.
2" x 3/4"	60.33 x 26.67	2.77 x 2.11	10S	76	0.25
	60.33 x 26.67	3.91 x 2.87	40S		0.37
	60.33 x 26.67	5.54 x 3.91	80S		0.41
2" x 1"	60.33 x 33.40	2.77 x 2.77	10S	76	0.28
	60.33 x 33.40	3.91 x 3.38	40S		0.40
	60.33 x 33.40	5.54 x 4.55	80S		0.54
2" x 1 1/4"	60.33 x 42.16	2.77 x 2.77	10S	76	0.30
	60.33 x 42.16	3.91 x 3.56	40S		0.44
	60.33 x 42.16	5.54 x 4.85	80S		0.48
2" x 1 1/2"	60.33 x 48.26	2.77 x 2.77	10S	76	0.31
	60.33 x 48.26	3.91 x 3.68	40S		0.45
	60.33 x 48.26	5.54 x 5.08	80S		0.59
2 1/2" x 1 1/4"	73.03 x 42.16	3.05 x 2.77	10S	89	0.37
	73.03 x 42.16	5.16 x 3.56	40S		0.63
	73.03 x 42.16	7.01 x 4.85	80S		0.78
2 1/2" x 1 1/2"	73.03 x 48.30	3.05 x 2.77	10S	89	0.44
	73.03 x 48.30	5.16 x 3.68	40S		0.77
	73.03 x 48.30	7.01 x 5.08	80S		0.83
2 1/2" x 2"	73.03 x 60.30	3.05 x 2.77	10S	89	0.47
	73.03 x 60.30	5.16 x 3.91	40S		0.80
	73.03 x 60.30	7.01 x 5.54	80S		1.03
3" x 1"	88.90 x 33.40	3.05 x 2.77	10S	89	0.49
	88.90 x 33.40	5.49 x 3.38	40S		0.85
	88.90 x 33.40	7.62 x 4.55	80S		0.97
3" x 1 1/4"	88.90 x 42.16	3.05 x 2.77	10S	89	0.43
	88.90 x 42.16	5.49 x 3.56	40S		0.75
	88.90 x 42.16	7.62 x 4.85	80S		0.95
3" x 1 1/2"	88.90 x 48.26	3.05 x 2.77	10S	89	0.51
	88.90 x 48.26	5.49 x 3.68	40S		0.94
	88.90 x 48.26	7.62 x 5.08	80S		1.21



**RIDUZIONI ECCENTRICHE
SENZA SALDATURA
(SU RICHIESTA SCH160)**

ASME B16.9 ASTM A 403
WP 304/304L E WP 316/316L

**SEAMLESS ECCENTRIC REDUCERS
(SCH160 ON REQUEST)**

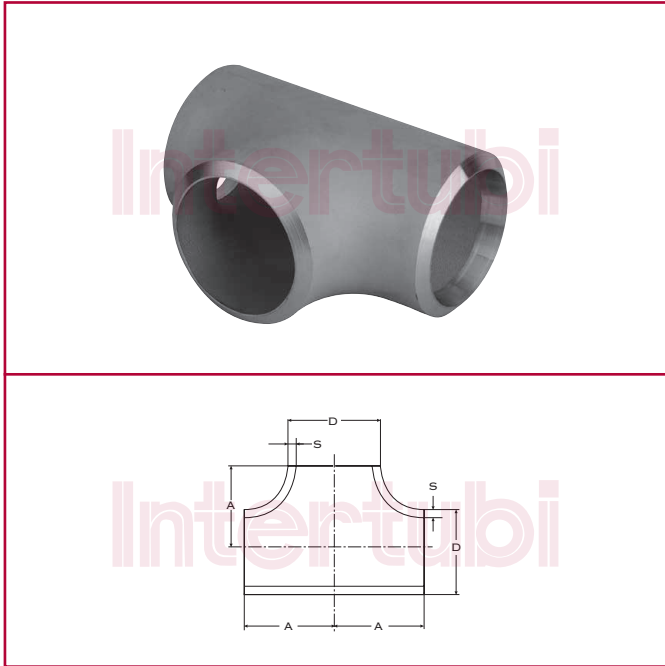
ASME B16.9 ASTM A 403
WP 304/304L AND WP 316/316L

Su richiesta saldate | Welded on request

D.E. POLLICI D.E. INCHES	Ø EST. X Ø EST. OUTS. Ø X OUTS. Ø	SP. X SP. MM THCK. X THCK. MM	SCH	H	PESO KG/PZ. WEIGHT KG/PCS.
3" x 2"	88.90 x 60.30	3.05 x 2.77	10S	89	0.55
	88.90 x 60.30	5.49 x 3.91	40S		1.00
	88.90 x 60.30	7.62 x 5.54	80S		1.29
3" x 2 1/2"	88.90 x 73.03	3.05 x 3.05	10S		0.59
	88.90 x 73.03	5.49 x 5.16	40S		1.08
	88.90 x 73.03	7.62 x 7.01	80S		1.49
4" x 1 1/2"	114.30 x 48.26	3.05 x 2.77	10S	102	0.71
	114.30 x 48.26	6.02 x 3.68	40S		1.18
	114.30 x 48.26	8.56 x 5.08	80S		1.64
4" x 2"	114.30 x 60.30	3.05 x 2.77	10S		0.78
	114.30 x 60.30	6.02 x 3.91	40S		1.57
	114.30 x 60.30	8.56 x 5.54	80S		1.95
4" x 2 1/2"	114.30 x 73.03	3.05 x 3.05	10S		0.83
	114.30 x 73.03	6.02 x 5.16	40S		1.66
	114.30 x 73.03	8.56 x 7.01	80S		1.97
	114.30 x 88.90	3.05 x 3.05	10S		0.87
4" x 3"	114.30 x 88.90	6.02 x 5.49	40S		1.74
	114.30 x 88.90	8.56 x 7.62	80S		2.33
	141.30 x 88.90	3.40 x 3.05	10S	1.45	
5" x 3"	141.30 x 88.90	6.55 x 5.49	40S	2.85	
	141.30 x 114.30	3.40 x 3.05	10S	1.49	
	141.30 x 114.30	6.55 x 6.02	40S	2.98	
6" x 3"	168.28 x 88.9	3.40 X 3.05	10S	1.82	
	168.28 x 88.9	7.11 X 5.49	40S	3.98	
	168.28 x 88.9	10.97 X 8.56	80S	5.51	

D.E. POLLICI D.E. INCHES	Ø EST. X Ø EST. OUTS. Ø X OUTS. Ø	SP. X SP. MM THCK. X THCK. MM	SCH	H	PESO KG/PZ. WEIGHT KG/PCS.	
6" x 4"	168.28 x 114.30	3.40 x 3.05	10S	140	1.95	
	168.28 x 114.30	7.11 x 6.02	40S		4.08	
	168.28 x 114.30	10.97 x 8.56	80S		5.96	
6" x 5"	168.28 x 141.30	3.40 x 3.40	10S	152	2.05	
	168.28 x 141.30	8.18 x 7.11	40S		4.18	
8" x 4"	219.08 x 114.30	3.76 x 3.05	10S	178	3.02	
	219.08 x 114.30	8.18 x 6.02	40S		6.55	
8" x 5"	219.08 x 141.30	3.76 x 3.40	10S		203	3.08
	219.08 x 141.30	8.18 x 6.55	40S			6.70
8" x 6"	219.08 x 168.30	3.76 x 3.40	10S		330	3.19
	219.08 x 168.30	8.18 x 7.11	40S			6.94
10" x 6"	273.05 x 168.28	4.19 x 3.40	10S	356	5.00	
	273.05 x 168.28	9.27 x 7.11	40S		11.12	
10" x 8"	273.05 x 219.08	4.19 x 3.76	10S		356	5.25
	273.05 x 219.08	9.27 x 8.18	40S	11.56		
12" x 6"	323.85 x 168.28	4.57 x 3.40	10S	356	6.58	
	323.85 x 168.28	9.53 x 7.11	40S		12.80	
12" x 8"	323.85 x 219.08	4.57 x 3.76	10S		356	7.67
	323.85 x 219.08	9.53 x 8.18	40S			15.98
12" x 10"	323.85 x 273.05	4.57 x 4.19	10S		356	7.98
	323.85 x 273.05	9.53 x 9.27	40S			16.63
14" x 10"	355.60 x 273.05	4.78 x 4.19	10S	356	14.41	
	355.60 x 273.05	9.53 x 9.27	40S		23.60	
	355.60 x 323.85	4.78 x 4.57	10S		15.29	
14" x 12"	355.60 x 323.85	9.53 x 9.53	40S	356	25.40	
	406.40 x 323.85	4.78 x 4.57	10S		18.35	
	406.40 x 323.85	9.53 x 9.53	40S		29.60	
16" x 12"	406.40 x 355.60	4.78 x 4.78	10S	356	18.90	
	406.40 x 355.60	9.53 x 9.53	40S		31.00	

Nota: i dati tecnici su questo catalogo sono indicativi e non impegnativi / Note: the technical data reported in this catalogue is proximate and not binding.
Data di emissione: 2020 Revisione: 01 / Date of issue: 2020 Revision: 01 - Copyright © Intertubi S.p.a. Tutti i diritti riservati / Copyright © Intertubi S.p.a. All rights reserved


**TEES UGUALI
SENZA SALDATURA**

 ASME B16.9 ASTM A 403
 WP 304/304L E WP 316/316L

SEAMLESS EQUAL TEES

 ASME B16.9 ASTM A 403
 WP 304/304L AND WP 316/316L

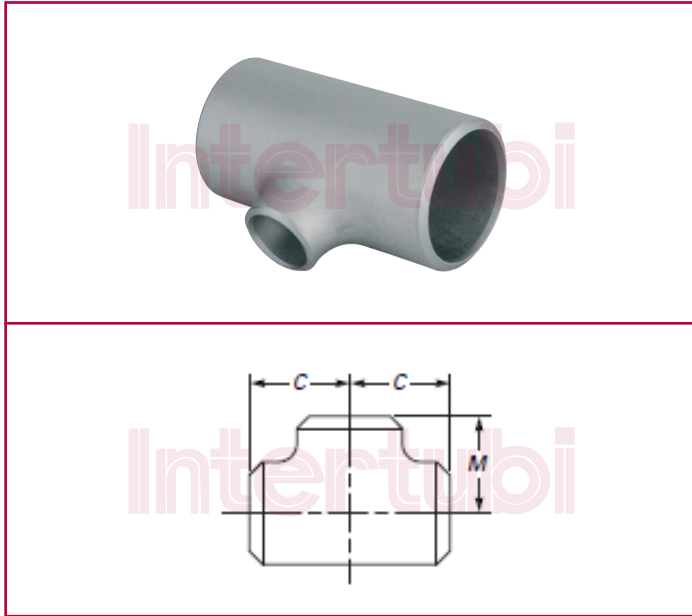
 Su richiesta saldate | *Welded on request*

D.E. POLLICI D.E. INCHES	Ø EST. MM X SPESS. MM OUTS. DIAM. MM X THCKN MM	SCH	A	PESO KG/PZ. WEIGHT KG/PCS.
1/2"	21.34 x 2.11	10S	25	0.07
	21.34 x 2.77	40S		0.08
	21.34 x 3.73	80S		0.14
	21.34 x 4.75	160		0.15
3/4"	26.67 x 2.11	10S	29	0.09
	26.67 x 2.87	40S		0.11
	26.67 x 3.91	80S		0.20
	26.67 x 5.54	160		0.30
1"	33.40 x 2.77	10S	38	0.20
	33.40 x 3.38	40S		0.24
	33.40 x 4.55	80S		0.39
	33.40 x 6.35	160		0.47
1 1/4"	42.16 x 2.77	10S	48	0.33
	42.16 x 3.56	40S		0.41
	42.16 x 4.85	80S		0.54
	42.16 x 6.35	160		0.89
1 1/2"	48.26 x 2.77	10S	57	0.46
	48.26 x 3.68	40S		0.60
	48.26 x 5.08	80S		1.02
	48.26 x 7.14	160		1.43
2"	60.33 x 2.77	10S	64	0.63
	60.33 x 3.91	40S		0.87
	60.33 x 5.54	80S		1.60
	60.33 x 8.71	160		3.18
2 1/2"	73.03 x 3.05	10S	76	1.10
	73.03 x 5.16	40S		1.70
	73.03 x 7.01	80S		3.63

D.E. POLLICI D.E. INCHES	Ø EST. MM X SPESS. MM OUTS. DIAM. MM X THCKN MM	SCH	A	PESO KG/PZ. WEIGHT KG/PCS.
3"	88.90 x 3.05	10S	86	1.37
	88.90 x 5.49	40S		1.90
	88.90 x 7.62	80S		4.45
	88.90 x 11.13	160		5.87
3 1/2"	101.6 x 3.05	10S	95	1.74
	101.6 x 5.74	40S		3.19
4"	114.30 x 3.05	10S	105	2.15
	114.30 x 6.02	40S		4.13
	114.30 x 8.56	80S		7.70
5"	141.30 x 3.40	10S	124	3.48
	141.30 x 6.55	40S		6.55
6"	168.28 x 3.40	10S	143	4.76
	168.28 x 7.11	40S		9.73
	168.28 x 10.97	80S		13.61
8"	219.08 x 3.76	10S	178	8.46
	219.08 x 8.18	40S		18.00
	219.08 x 12.70	80S		27.40
10"	273.05 x 4.19	10S	216	14.20
	273.05 x 9.27	40S		30.60
12"	323.85 x 4.57	10S	254	21.60
	323.85 x 9.53	40S		44.30
14"	355.60 x 4.78	10S	279	48.53
	355.60 x 9.53	40S		79.38
16"	406.40 x 4.77	10S	305	58.90
	406.40 x 9.53	40S		99.70

Nota: i dati tecnici su questo catalogo sono indicativi e non impegnativi / Note: the technical data reported in this catalogue is proximate and not binding.

Data di emissione: 2020 Revisione: 01 / Date of issue: 2020 Revision: 01 - Copyright © Intertubi S.p.a. Tutti i diritti riservati / Copyright © Intertubi S.p.a. All rights reserved



**TEES RIDOTTI SENZA SALDATURA
(SU RICHIESTA SCH160)**

ASME B16.9 ASTM A 403
WP 304/304L E WP 316/316L

SEAMLESS EQUAL TEES (SCH160 ON REQUEST)

ASME B16.9 ASTM A 403
WP 304/304L AND WP 316/316L

Su richiesta saldate | Welded on request

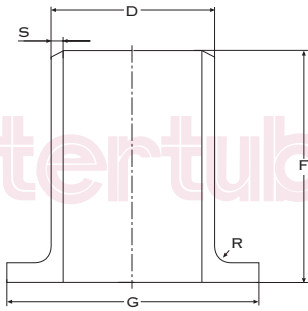
D.E. POLLICI D.E. INCHES	Ø EST. X Ø EST. OUTS. Ø X OUTS. Ø	SP. X SP. MM THCK. X THCK. MM	SCH	C	M	PESO KG/PZ. WEIGHT KG/ PCS.
3/4" x 1/2"	26.67 x 21.34	2.11 x 2.11	10S	29	29	0.11
	26.67 x 21.34	2.87 x 2.77	40S			0.15
	26.67 x 21.34	3.91 x 3.73	80S			0.19
1" x 1/2"	33.40 x 21.30	2.77 x 2.11	10S	38	38	0.19
	33.40 x 21.30	3.38 x 2.77	40S			0.22
	33.40 x 21.30	4.55 x 3.73	80S			0.28
1" x 3/4"	33.40 x 26.67	2.77 x 2.11	10S			0.19
	33.40 x 26.67	3.38 x 2.87	40S			0.23
	33.40 x 26.67	4.55 x 3.91	80S			0.29
1 1/4" x 3/4"	42.16 x 26.67	2.77 x 2.11	10S	48	48	0.44
	42.16 x 26.67	3.56 x 2.87	40S			0.53
	42.16 x 26.67	4.85 x 3.91	80S			0.66
1 1/4" x 1"	42.16 x 33.40	2.77 x 2.77	10S			0.45
	42.16 x 33.40	3.56 x 3.38	40S			0.53
	42.16 x 33.40	4.85 x 4.55	80S			0.60
1 1/2" x 1/2"	48.26 x 21.30	2.77 x 2.11	10S	57	57	0.39
	48.26 x 21.30	3.68 x 2.77	40S			0.51
	48.26 x 21.30	5.08 x 3.73	80S			0.67
	1 1/2" x 3/4"	48.26 x 26.67	2.77 x 2.11			10S
48.26 x 26.67		3.68 x 2.87	40S			0.52
48.26 x 26.67		5.08 x 3.91	80S			0.69
1 1/2" x 1"	48.26 x 33.40	2.77 x 2.77	10S			0.42
	48.26 x 33.40	3.68 x 3.38	40S			0.55
	48.26 x 33.40	5.08 x 4.55	80S			0.73
	1 1/2" x 1 1/4"	48.26 x 42.16	2.77 x 2.77			10S
48.26 x 42.16		3.68 x 3.56	40S			0.57
48.26 x 42.16		5.08 x 4.85	80S			0.77
2" x 3/4"	60.33 x 26.67	2.77 X 2.11	10S	64	44	0.51
	60.33 x 26.67	3.91 X 2.87	40S			0.71
	60.33 x 26.67	5.54 X 3.91	80S			0.99
2" x 1"	60.33 x 33.40	2.77 x 2.77	10S		51	0.54
	60.33 x 33.40	3.91 x 3.38	40S			0.74
	60.33 x 33.40	5.54 x 4.55	80S			1.02

D.E. POLLICI D.E. INCHES	Ø EST. X Ø EST. OUTS. Ø X OUTS. Ø	SP. X SP. MM THCK. X THCK. MM	SCH	C	M	PESO KG/PZ. WEIGHT KG/ PCS.
2" x 1 1/4"	60.33 x 42.16	2.77 x 2.77	10S	64	57	0.57
	60.33 x 42.16	3.91 x 3.56	40S			0.80
	60.33 x 42.16	5.54 x 4.85	80S			1.07
2" x 1 1/2"	60.33 x 48.26	2.77 x 2.77	10S		60	0.59
	60.33 x 48.26	3.91 x 3.68	40S			0.83
	60.33 x 48.26	5.54 x 5.08	80S			1.11
2 1/2" x 1"	73.03 x 33.40	3.05 x 2.77	10S	76	57	0.88
	73.03 x 33.40	5.16 x 3.38	40S			1.35
2 1/2" x 1 1/2"	73.03 x 48.26	3.05 x 2.77	10S		67	0.90
	73.03 x 48.26	5.16 x 3.68	40S			1.49
2 1/2" x 2"	73.03 x 60.30	3.05 x 2.77	10S		70	0.94
	73.03 x 60.30	5.16 x 3.91	40S			1.53
3" x 1"	88.90 x 33.40	3.05 x 2.77	10S	86	67	1.15
	88.90 x 33.40	5.49 x 3.38	40S			2.05
3" x 1 1/2"	88.90 x 48.30	3.05 x 2.77	10S		73	1.19
	88.90 x 48.30	5.49 x 3.68	40S			2.05
3" x 2"	88.90 x 48.30	7.62 x 5.08	80S		76	2.77
	88.90 x 60.33	3.05 x 2.77	10S			1.23
	88.90 x 60.33	5.49 x 3.91	40S	2.16		
3" x 2 1/2"	88.90 x 60.33	7.62 x 5.54	80S	83	2.85	
	88.90 x 73.03	3.05 x 3.05	10S		1.31	
4" x 2"	114.30 x 60.33	3.05 x 2.77	10S	105	89	2.35
	114.30 x 60.33	6.02 x 3.91	40S			4.50
	114.30 x 60.33	8.56 x 5.54	80S			4.91
4" x 2 1/2"	114.30 x 73.03	3.05 x 3.05	10S		95	2.45
	114.30 x 73.03	6.02 x 5.16	40S			4.70
4" x 3"	114.30 x 88.90	3.05 x 3.05	10S		98	2.50
	114.30 x 88.90	6.02 x 5.49	40S	4.80		
	114.30 x 88.90	8.56 x 7.62	80S	5.31		
5" x 3"	141.30 x 88.9	3.40 x 3.05	10S	124	111	3.13
	141.30 x 88.9	6.55 x 5.49	40S			5.85
5" x 4"	141.30 x 114.3	3.40 x 3.05	10S		117	3.26
	141.30 x 114.3	6.55 x 6.02	40S			6.14
6" x 3"	168.28 x 88.90	7.11 x 5.49	40S	143	124	9.80
	168.28 x 114.30	3.40 x 3.05	10S		130	5.10
6" x 4"	168.28 x 114.30	7.11 x 6.02	40S	156	10.00	
	219.08 x 114.30	3.40 x 3.05	10S		8.00	
8" x 4"	219.08 x 114.30	8.18 x 6.02	40S	178	17.50	
	219.08 x 168.28	3.76 x 3.40	10S		8.40	
8" x 6"	219.08 x 168.28	8.18 x 7.11	40S	168	18.10	

Nota: i dati tecnici su questo catalogo sono indicativi e non impegnativi / Note: the technical data reported in this catalogue is proximate and not binding.
Data di emissione: 2020 Revisione: 01 / Date of issue: 2020 Revision: 01 - Copyright © Intertubi S.p.a. Tutti i diritti riservati / Copyright © Intertubi S.p.a. All rights reserved



Intertubi



Intertubi

STUB-ENDS SHORT LENGTH

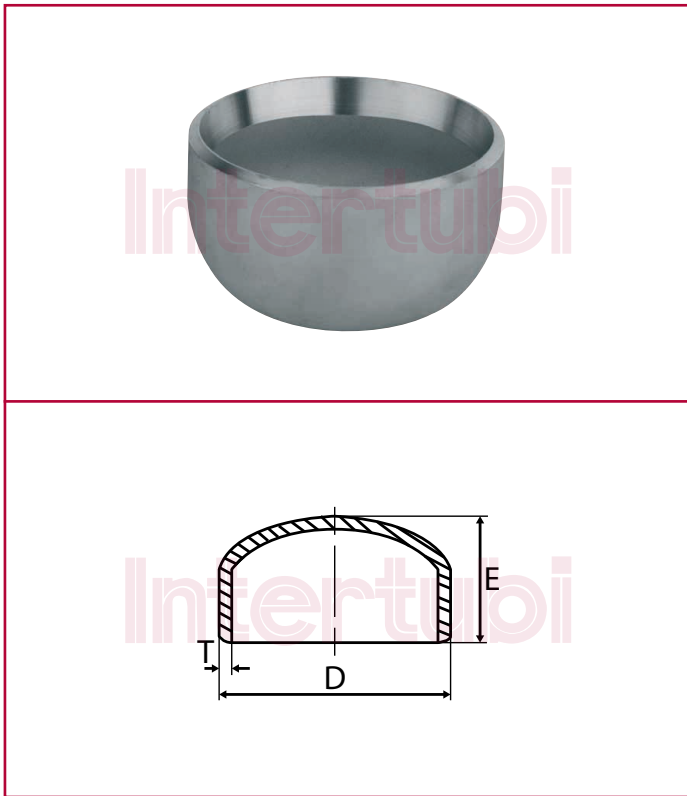
 ASME B16.9 ASTM A 403
 WP 304/304L E WP 316/316L

STUB-ENDS SHORT LENGTH

 ASME B16.9 ASTM A 403
 WP 304/304L AND WP 316/316L

D.E. POLLICI D.E. INCHES	Ø EST. MM X SPESS. MM OUTS. DIAM. MM X THCKN MM	SCH	F	G	R	PESO KG/PZ. WEIGHT KG/PCS.
1/2"	21.34 x 2.11	10S	50.8	34.9	3.18	0.07
	21.34 x 2.77	40S				0.09
3/4"	26.67 x 2.11	10S	50.8	42.9	3.18	0.10
	26.67 x 2.87	40S				0.12
1"	33.40 x 2.77	10S	50.8	50.8	3.18	0.16
	33.40 x 3.38	40S				0.17
1 1/4"	42.16 x 2.77	10S	50.8	63.5	4.76	0.22
	42.16 x 3.56	40S				0.25
1 1/2"	48.26 x 2.77	10S	50.8	73.0	6.35	0.25
	48.26 x 3.68	40S				0.31
2"	60.33 x 2.77	10S	63.5	92.1	7.94	0.43
	60.33 x 3.91	40S				0.61
2 1/2"	73.03 x 3.05	10S	63.5	104.8	7.94	0.57
	73.03 x 5.16	40S				0.80
3"	88.90 x 3.05	10S	63.5	127.0	9.53	0.73
	88.90 x 5.49	40S				1.13

D.E. POLLICI D.E. INCHES	Ø EST. MM X SPESS. MM OUTS. DIAM. MM X THCKN MM	SCH	F	G	R	PESO KG/PZ. WEIGHT KG/PCS.
4"	114.30 x 3.05	10S	76.2	157.2	11.11	1.09
	114.30 x 6.02	40S				1.87
5"	141.30 x 3.40	10S	76.2	185.7	11.11	1.47
	141.30 x 6.55	40S				2.28
6"	168.28 x 3.40	10S	88.9	215.9	12.70	2.15
	168.28 x 7.11	40S				3.57
8"	219.08 x 3.76	10S	101.6	269.9	12.70	3.22
	219.08 x 8.18	40S				6.07
10"	273.05 x 4.19	10S	127.0	323.9	12.70	5.13
	273.05 x 9.27	40S				10.07
12"	323.85 x 4.57	10S	152.4	381.0	12.70	8.16
	323.85 x 9.53	40S				14.29
14"	355.60 x 4.78	10S	152.4	412.8	12.70	10.89
16"	406.40 x 4.78	10S	152.4	469.9	12.70	12.70
18"	457.20 x 4.78	10S	152.4	533.4	12.70	17.24
20"	508.00 x 5.54	10S	152.4	584.2	12.70	21.77



FONDELLI

ASME B16.9 ASTM A 403
WP 304/304L E WP 316/316L

CAPS

ASME B16.9 ASTM A 403
WP 304/304L AND WP 316/316L

D.E. POLLICI D.E. INCHES	Ø EST. MM X SPESS. MM OUTS. DIAM. MM X THCKN MM	SCH	E	PESO KG/PZ. WEIGHT KG/PCS.
1/2"	21.34 x 2.11	10S	25	0.04
	21.34 x 2.77	40S		0.05
	21.34 x 3.73	80S		0.06
3/4"	26.67 x 2.11	10S	25	0.06
	26.67 x 2.87	40S		0.07
	26.67 x 3.91	80S		0.08
1"	33.40 x 2.77	10S	38	0.09
	33.40 x 3.38	40S		0.13
	33.40 x 4.55	80S		0.13
1 1/4"	42.16 x 2.77	10S	38	0.13
	42.16 x 3.56	40S		0.17
	42.16 x 4.85	80S		0.18
1 1/2"	48.26 x 2.77	10S	38	0.14
	48.26 x 3.68	40S		0.23
	48.26 x 5.08	80S		0.24
2"	60.33 x 2.77	10S	38	0.19
	60.33 x 3.91	40S		0.26
	60.33 x 5.54	80S		0.35
2 1/2"	73.03 x 3.05	10S	38	0.25
	73.03 x 5.16	40S		0.45
	73.03 x 7.01	80S		0.51

D.E. POLLICI D.E. INCHES	Ø EST. MM X SPESS. MM OUTS. DIAM. MM X THCKN MM	SCH	E	PESO KG/PZ. WEIGHT KG/PCS.
3"	88.90 x 3.05	10S	51	0.40
	88.90 x 5.49	40S		0.71
	88.90 x 7.62	80S		0.85
4"	114.30 x 3.05	10S	64	0.65
	114.30 x 6.02	40S		1.22
	114.30 x 8.56	80S		1.61
5"	141.30 x 3.40	10S	76	1.02
	141.30 x 6.55	40S		1.91
6"	168.28 x 3.40	10S	89	1.36
	168.28 x 7.11	40S		3.23
	168.28 x 10.97	80S		4.54
8"	219.08 x 3.76	10S	102	2.49
	219.08 x 8.18	40S		5.67
	219.08 x 12.70	80S		7.80
10"	273.05 x 4.19	10S	127	4.90
	273.05 x 9.27	40S		9.21
	273.05 x 12.70	80S		13.10
12"	323.85 x 4.57	10S	152	6.53
	323.85 x 9.53	40S		13.06
	323.85 x 12.70	80S		17.30

Nota: i dati tecnici su questo catalogo sono indicativi e non impegnativi / Note: the technical data reported in this catalogue is proximate and not binding.
Data di emissione: 2020 Revisione: 01 / Date of issue: 2020 Revision: 01 - Copyright © Intertubi S.p.a. Tutti i diritti riservati / Copyright © Intertubi S.p.a. All rights reserved